

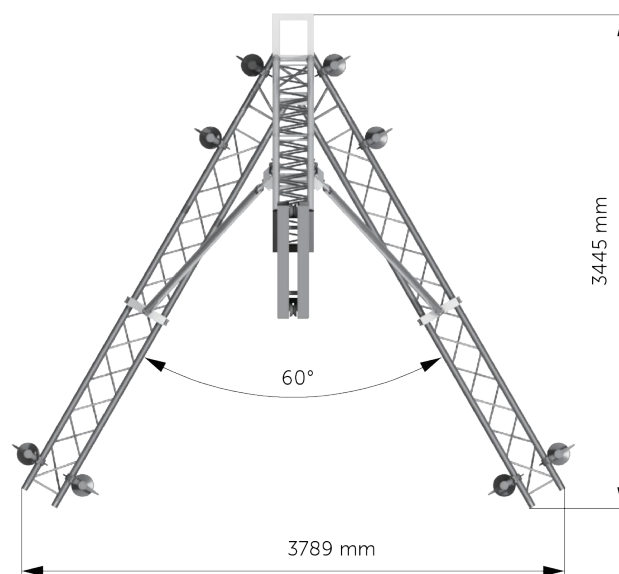
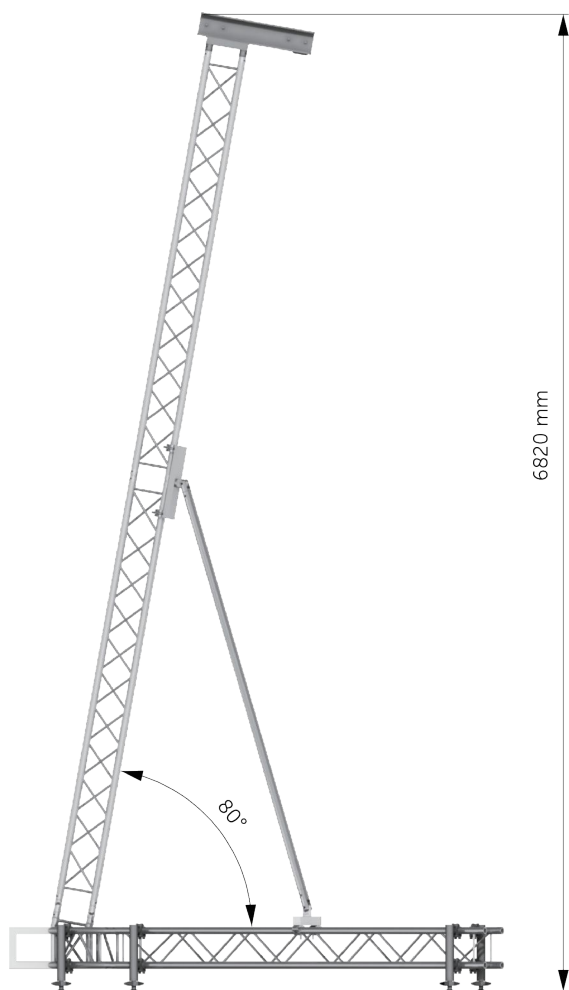
PA-TOWER 350

GE PA Tower 350 is a smaller load tower that is unique for its design and functionality. The total height is 6m and the maximum load is 350kg. It is equipped by pulley, motor holder and long outriggers.

GE PA Tower 350是一款轻型音响架，属于特殊用途的升降系统，此系统载重为350kg，最大拉升高度为6m，配备有滑轮，葫芦支撑件和长斜撑。

TECHNICAL DATA

MAX LIFTING HEIGHT	6M
LOADING CAPACITY	350KG
MAX WINDSPEED	20M/SEC
MAIN TUBE	50 X 2 MM
BRACES	20 X 2 MM
ALLOY	EN AW 6082 T6



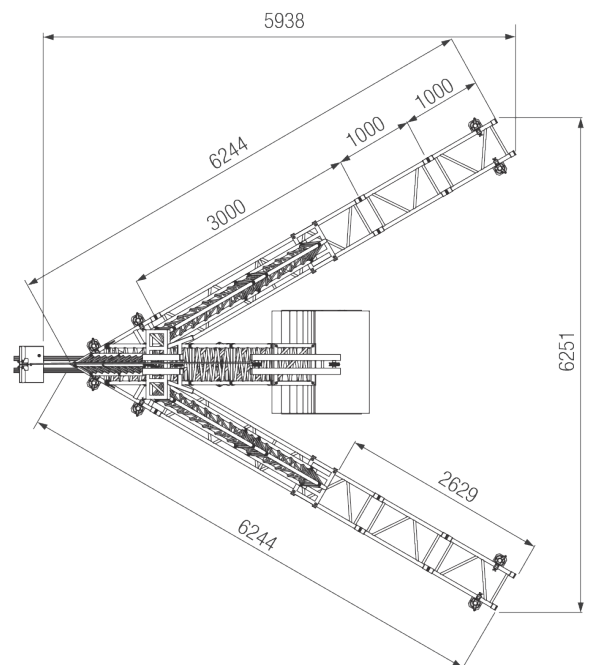
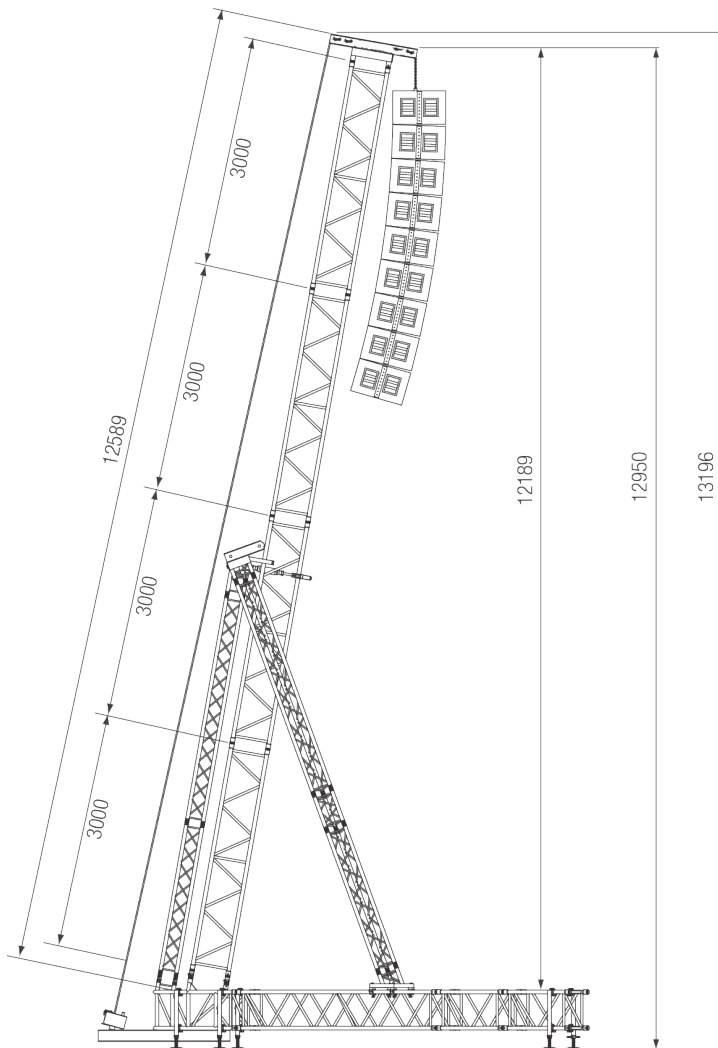
PA-TOWER 800

GE PA Tower 800 is a light duty rigging tower with loading capacity 800kg and a maximum lifting height 6.6m. The relatively small dimensions make PA Tower 800 suitable for various kinds of application, e.g. outdoor events, concerts, shopping malls, entrance halls, exhibitions, displays theme parks and corporate events.

GE PA Tower 800是一款轻型音响架，属于特殊用途的升降系统，此系统载重为800kg，最大拉升高度为6.6m，其相对较小的规格尺寸，适用于各种室内外的活动方案，例如音乐会，商场活动，展会等。

TECHNICAL DATA

MAX LIFTING HEIGHT	6.6M
LOADING CAPACITY	800KG
MAX WINDSPEED	20M/SEC
MAIN TUBE	50 X 4 MM
BRACES	20 X 2 MM
ALLOY	EN AW 6082 T6



PA-TOWER 1400

The medium - to - heavy - duty tower has a loading capacity of 1400 to 2900 kg . The rigging tower is the ideal solution for medium to large scale events where flexibility counts, including festivals,concerts or other major public events, The tower can be converted from one type to another by simply adjusting the length of the mast.

GE PA Tower 1400是一款重型音响架，属于特殊用途的升降系统，此系统载重可从1400kg到2900kg，最大拉升高度为13m，是音乐节，政府活动，展会等大型公共活动的理想解决方案。

TECHNICAL DATA

MAX LIFTING HEIGHT	12.95M
LOADING CAPACITY	1400KG-2900KG
MAX WINDSPEED	20M/SEC
MAIN TUBE	50 X 4 MM
BRACES	30 X 3 MM
ALLOY	EN AW 6082 T6