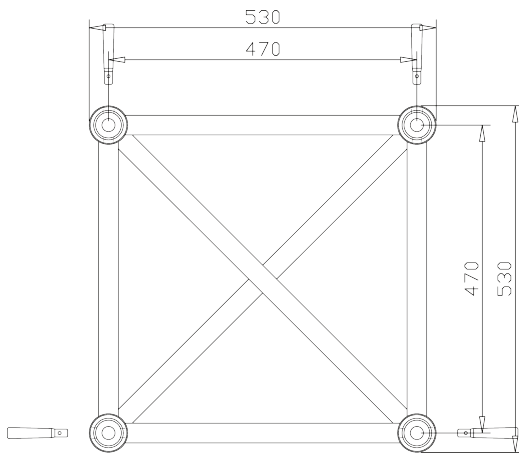


GE54 SQUARE(AVAILABLE IN BLACK)

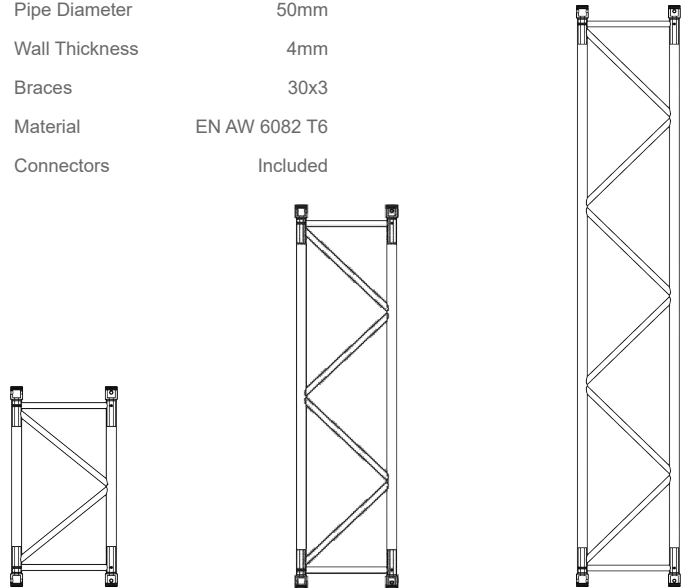
CODE	LENGTH	WEIGHT
GE54050	50CM	15.3KG
GE54100	100CM	20.7KG
GE54150	150CM	26.2KG
GE54200	200CM	31.6KG
GE54250	250CM	37.6KG
GE54300	300CM	46.0KG
GE54350	350CM	53.8KG

SECTION



TECHNICAL DATA

Pipe Diameter	50mm
Wall Thickness	4mm
Braces	30x3
Material	EN AW 6082 T6
Connectors	Included



LOAD TABLE

Span	UDL	Deflection	CPL	Deflection	Point load in third-point	Deflection	Point load in quarter-point	Deflection	Point load in fifth-point	Deflection
长度	承重量/m	弯曲度	中间点承重量	弯曲度	两点承重量	弯曲度	三点承重量	弯曲度	四点承重量	弯曲度
4	861	0.32	1403	0.21	1050	0.27	829	0.3	682	0.31
5	695	0.61	1306	0.39	978	0.49	778	0.55	645	0.58
6	603	1.16	1217	0.64	912	0.8	730	0.89	611	0.95
7	501	1.79	1137	0.95	851	1.2	686	1.34	578	1.44
8	413	2.53	1063	1.35	796	1.69	646	1.9	548	2.05
9	342	3.38	997	1.82	746	2.28	609	2.58	520	2.79
10	285	4.33	936	2.38	700	2.97	575	3.37	484	3.6
11	235	5.28	880	3.02	659	3.77	544	4.29	449	4.49
12	195	6.29	828	3.76	620	4.67	515	5.33	418	5.49
13	164	7.39	781	4.58	585	5.67	480	6.4	389	6.59
14	140	8.58	737	5.5	552	6.79	448	7.58	364	7.81
15	120	9.87	696	6.52	522	8.03	419	8.86	341	9.13
16	104	11.24	658	7.64	494	9.37	393	10.24	320	10.57
17	90	12.71	622	8.87	467	10.84	368	11.74	300	12.11
18	79	14.28	589	10.21	442	12.43	346	13.35	282	13.78
19	70	15.93	558	11.66	419	14.14	325	15.07	266	15.55
20	62	17.69	528	13.22	397	15.98	306	16.9	250	17.45



GE54 SQUARE

GE54 is a 4-point truss system. This provides optimum volume and load capacity for its construction size and a tube diameter of 50mm. This system is connected via a special conical connector system, which is joined together to a complete form fit by means of a copper hammer, creating optimal traction.

GE54 finds application in big artistic performance, trade fair construction, theatre construction and stage design. It is also characterized by high load capacity, which can be used for hanging LED screens.

The conical connectors are of course included in the scope of delivery - powder coatings can be carried out at short notice.

GE54 系列桁架为四方架系统，其材料均为通过 EN 认证的 6082 T6 铝合金型材，主管直径为 50mm，管壁厚度 4mm，副管直径 30mm，管壁厚度 3mm。此桁架为插销连接方式，属于重型展示架，承载能力强，适用于大型的文艺演出，剧院，展览会等场所。桁架的设计由德国工程师研发，生产遵循德国工业标准，并荣获德国“RWTUV”认证，是一款极具性价比的优势产品。桁架可依照需求进行特殊造型定制，以及表面可做烤漆处理。