



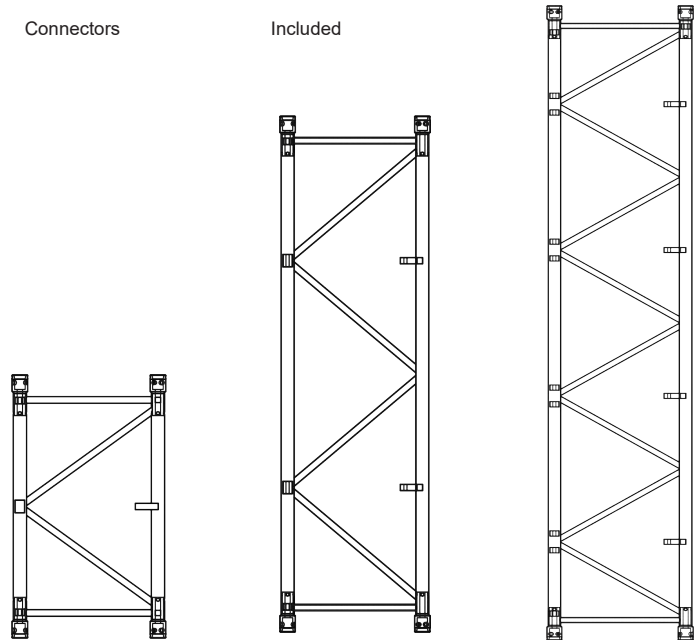
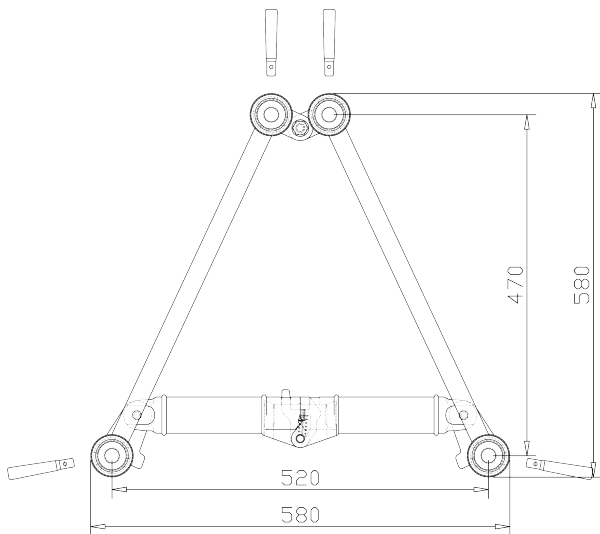
GE52 FOLDING(AVAILABLE IN BLACK)

CODE	LENGTH	WEIGHT
GE52060	60CM	10.70KG
GE52080	80CM	14.30KG
GE52160	160CM	23.00KG
GE52240	240CM	27.50KG
GE52320	320CM	44.00KG

TECHNICAL DATA

Pipe Diameter	50mm
Wall Thickness	4.0mm
Brace	25 x 3mm
Material	EN AW 6082 T6
Connectors	Included

SECTION



LOAD TABLE

Span	UDL	Deflection	CPL	Deflection	Point load in third-point	Deflection	Point load in quarter-point	Deflection	Point load in fifth-point	Deflection
长度	承重量/m	弯曲度	中间点承重量	弯曲度	两点承重量	弯曲度	三点承重量	弯曲度	四点承重量	弯曲度
m	kg m	cm	kg	cm	kg	cm	kg	cm	kg	cm
10	294	4	772(1471)	1.1(3.2)	691(1103)	3.0(4.8)	571(736)	2.8(2.9)	516(611)	
12	201	6	721(1208)	3.1(5.6)	637(906)	4.7(6.6)	517(605)	4.2(5.1)	463(501)	4.7(5.1)
14	145	8.2	667(1017)	4.8(7.0)	591(762)	7.0(8.6)	472(508)	6.2(7.4)	420(441)	6.6(8.0)
16	109	10.5	637(871)	6.8(9.6)	552(653)	9.6(11.1)	435	8.2	361	8.5
18	84	13	602(755)	8.5(10.4)	517(566)	13.1(15.4)	378	10.3	313	10.3
20	66	15.5	571(661)	11.5(13.4)	486	17.5	330	12.5	274	12.9
22	53	18.2	543(581)	14.4(15.8)	436	23.5	291	15.1	241	15
24	43	21	514	17.5	385	26.6	257	17	213	17.1



GE52 FOLDING

GE52 is a 4-point truss system. This provides optimum volume and load capacity for its construction size and a tube diameter of 50mm. This system is connected via a special conical connector system, which is joined together to a complete form fit by means of a copper hammer, creating optimal traction.

GE52 finds application in big concerts, trade fairs, and as well as in the event industry in general. The truss is folding. Not only can it save transportation space, but also it offers a high loading capacity.

The conical connectors are of course included in the scope of delivery - powder coatings can be carried out at short notice.

GE52 系列桁架为四方架系统，其材料均为通过 EN 认证的 6082 T6 铝合金型材，主管直径为 50mm，管壁厚度 4mm，副管直径 25mm，管壁厚度 3mm。此桁架为插销连接方式，属于折叠桁架的一种，折叠后可节省运输及储存空间，适用于大型的音乐会，展览会等场所。桁架的设计由德国工程师研发，生产遵循德国工业标准，并荣获德国“RWTUV”认证，是一款极具性价比的优势产品。桁架可依照需求进行特殊造型定制，以及表面可做烤漆处理。

90° 2 WAYS CORNER

CODE GE52C21H



| 22 / 100 - 100

4.5KG

90° 2 WAYS CORNER

CODE GE52C24V



| 22 / 100 - 100

4.1KG

3 WAYS T CORNER

CODE GE52T35



| 22 / 50 - 50

2.8KG

4 WAYS CROSS CORNER

CODE GE52C41



| 22 / 50 - 50

3.1KG

BASE

CODE GE52BASE



| 22 / 50 - 50

3.45KG

SLEEVE BLOCK

CODE GE52SLEEVE



| 50 / 50 - 50

3.75KG

CONICAL CONNECTOR

CODE GE52-C



| 22 / 50 - 50

4.0KG

HALF CONICAL CONNECTOR

CODE GE52-HC



| 50 / 50 - 22

3.9KG

PIN & CLIP

CODE 5018



| 50 / 50 - 50

3.1KG