



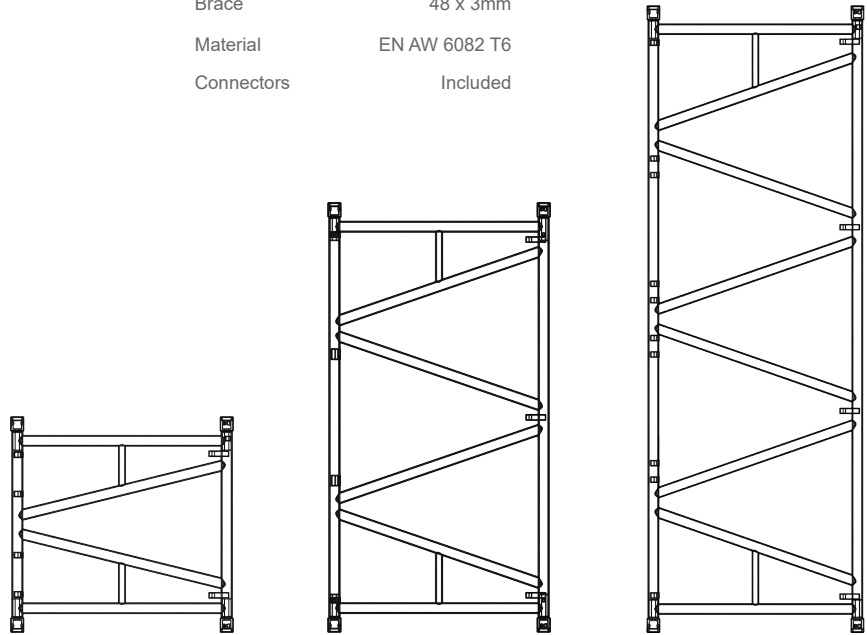
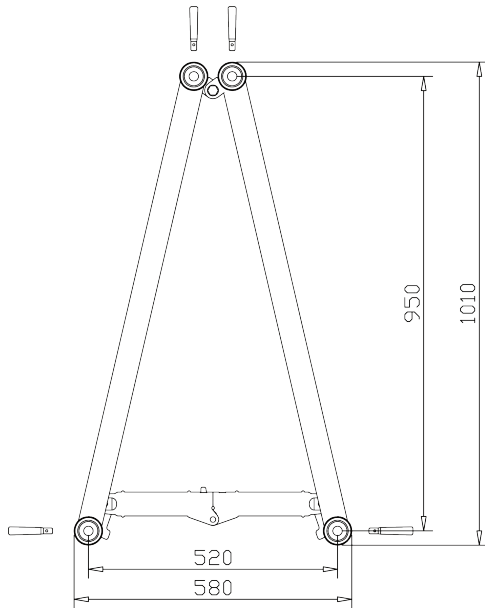
GE102 FOLDING(AVAILABLE IN BLACK)

CODE	LENGTH	WEIGHT
GE102050	50CM	15.50KG
GE102100	100CM	29.20KG
GE102150	150CM	36.35KG
GE102200	200CM	43.50KG
GE102300	300CM	56.20KG

TECHNICAL DATA

Pipe Diameter	50mm
Wall Thickness	4.0mm
Brace	48 x 3mm
Material	EN AW 6082 T6
Connectors	Included

SECTION



LOAD TABLE

Span	UDL	Deflection	CPL	Deflection	Point load in third-point	Deflection	Point load in quarter-point	Deflection	Point load in fifth-point	Deflection
长度	承重量/m	弯曲度	中间点承重量	弯曲度	两点承重量	弯曲度	三点承重量	弯曲度	四点承重量	弯曲度
m	kg m	cm	kg	cm	kg	cm	kg	cm	kg	cm
10	297	1.14	1785	1.1	1048	1.1	765	1.12	608	1.13
11	270	1.53	1689	1.4	1002	1.41	737	1.45	589	1.47
12	256	2.06	1599	1.74	958	1.78	710	1.83	570	1.87
13	238	2.65	1516	2.13	916	2.19	683	2.27	552	2.32
14	219	3.31	1439	2.56	876	2.65	658	2.76	534	2.84
15	200	4.02	1367	3.04	838	3.16	633	3.31	517	3.42
16	182	4.79	1300	3.57	802	3.73	610	3.92	500	4.06
17	166	5.61	1236	4.15	768	4.35	587	4.59	483	4.78
18	148	6.40	1177	4.77	735	5.02	565	5.32	467	5.56
19	131	7.14	1121	5.45	704	5.75	544	6.12	452	6.41



GE102 FOLDING

GE102 is a 4-point truss system. This provides optimum volume and load capacity for its construction size and a tube diameter of 50mm. This system is connected via a special conical connector system, which is joined together to a complete form fit by means of a copper hammer, creating optimal traction.

GE102 finds application in big artistic performance, trade fair construction, theatre construction and stage design. The truss is folding, which can save transportation space and offer a high load capacity. The conical connectors are of course included in the scope of delivery - powder coatings can be carried out at short notice.

GE102 系列桁架为四方架系统，其材料均为通过 EN 认证的 6082 T6 铝合金型材，主管直径为 50mm，管壁厚 4mm，副管直径 48mm，管壁厚度 3mm。此桁架为插销连接方式，属于折叠桁架的一种，承载能力强，折叠后可以节省运输及储存空间，适用于大型的文艺演出，展览会等场所。桁架的设计由德国工程师研发，生产遵循德国工业标准，并荣获德国“RWTUV”认证，是一款极具性价比的优势产品。桁架可依照需求进行特殊造型定制，以及表面可做烤漆处理。