



www.szgoodequipment.com



GOOD
EQUIPMENT

A Block, No.8, Lichi Garden 2nd Rd,
Luwu Villige, Changping Town, Dongguan China 523567
MOB: 86-1330260067
TEL:86-769-82698899
www.szgoodequipment.com

V1.0

■ About us

-Introduction

Since "Good Equipment" has been on the leading edge of manufacturing technologies and continues to be one of the key designers and manufacturers of numerous and unique live event/live sporting event products worldwide. Our specialties include; custom design-builds, aluminum truss, aluminum barricade, aluminum stages and the ever increasingly popular Ninja Warrior set configurations. Safety, quality and the acute attention to details makeup our companies' core set of values, beliefs and standards. With safety, the client and the end use always at the forefront of everything that we do-our result is delivering the highest quality and safest product line available in the market today to our numerous clients around the globe.

-Quality Assurance-Every Step of the Way

What sets "Good Equipment" apart from our competitors? It is our never ending-100% commitment to quality assurance for each and every project we embark upon with you. Whether you are renting, purchasing or creating a custom design for your live event needs-"Good Equipment" has you covered with our Quality Assurance Pledge to you as our client. Our stringent manufacturing methods and processes coupled with our detailed and internal quality control practices-as-sure quality, safety and reliability with every item we produce for you.

-Concept and Design

Every great product starts with a well-planned design. At "Good Equipment", we deploy a full top to bottom design-build process to bring your custom vision to life. We will work directly with you every step of the way from concept through design through final manufacturing. "Good Equipment" hosts a full time and seasoned design staff that is standing by to provide you with clear and concise renderings of your custom products. Once you are satisfied with this design and prior to beginning manufacturing-we then employ a 3rd party German design firm to complete final certifications on all design-build renderings.

-Materials

Quality Assurance can only start with quality products. In this regard, "Good Equipment" only sources the highest quality stock and materials from vendors who are in possession of EU compliant certificates. Using the right stock and base materials for the job allows us to apply true craftsmanship and attention to details to our strictly managed manufacturing processes.

-Manufacturing

At "Good Equipment", our manufacturing standards are at the leading edge of modern standards and methods. Our company is proud to have passed the ISO 9001 International Quality System Certification. We are also proud to be in compliance with the manufacturing standards as set forth by EU EN1090. Furthermore, we are very pleased to be certified with the EN1090-1 /-3 certification as issued by TUV NORD which is the "Gold Standard" for aluminum truss manufactures worldwide. To further ensure the utmost and highest quality for our customers, all of our on-staff welders go through a rigorous and detailed in house training program and then must test and become certified with the "AWS" American Welding Society-Professional Certifications.

-Customer Service

Your complete and total satisfaction is our priority. Our team of industry professionals are standing by to assist you through all the processes involved in designing, purchasing, renting and the manufacturing of all of our live event product lines. We invite you to take the time to discuss your industry needs with one of our staff. Our quoting process is streamlined and efficient and we can usually provide you a verified quote within 1-2 days.

■ 关于我们

-Global Distribution

"Good Equipment" currently has strategic distribution points set throughout the globe to make the rental and purchasing of our products both economical and easy no matter where you may be. Our global partners are well versed in our products and processes and are available to assist you every step of the way.

-North American Distribution-Strategic Partnerships

"Good Equipment" currently has strategic partners and distribution facilities located in the US A standing by to help you with your ordering and logistical needs. These established, US based companies are located in Miami, Omaha, Los Angeles and San Francisco.

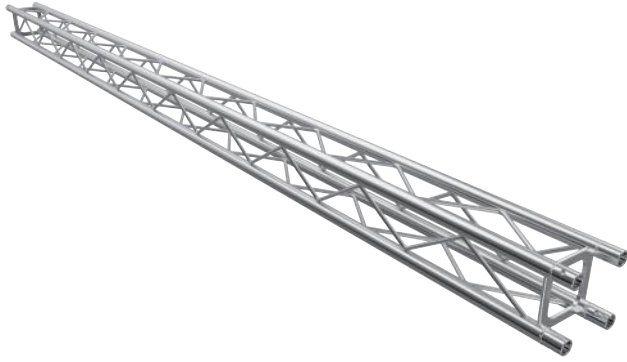
-European Union-Strategic Partnerships

"Good Equipment" also currently has strategic partners and distribution facilities located in England, Germany and Sweden standing by to help you with your ordering and logistical needs.

-Australasia-Strategic Partnerships

"Good Equipment" also currently has strategic partners and distribution facilities located in Australia and New Zealand standing by to help you with your ordering and logistical needs.



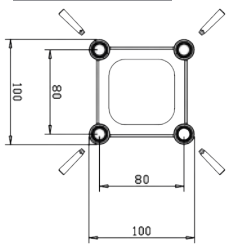


GE14 SQUARE

GE14 is a deco truss, suitable for home area, display applications, shop and exhibition stand construction, advertising, etc.

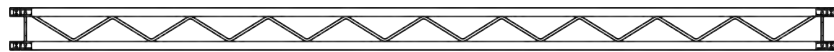
GE14 系列桁架主要用于各种展览，商场和展会等场所的内部装饰及临时性结构搭建。此桁架主要材料为通过 EN 认证的 6082 T6 铝合金，属于轻型桁架的一种，其最大特点为便于储存，表面可做阳极和烤漆处理。

SECTION



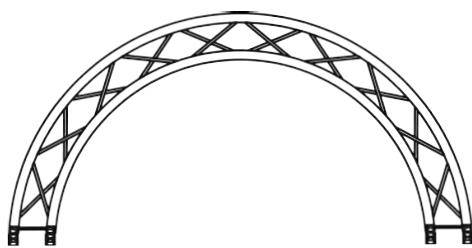
TECHNICAL DATA

Diameter Maintube	20mm
Thickness	2mm
Snakebrace	6mm
Connectors	Included



GE14 SQUARE

CODE	LENGTH	WEIGHT
GE14050	50CM	1.00KG
GE14100	100CM	2.00KG
GE14150	150CM	3.00KG
GE14200	200CM	4.00KG
GE14250	250CM	5.00KG
GE14300	300CM	6.00KG



GE14 CIRCLE

CODE	DIAMETER	PART/DEG	WEIGHT
GE14R10-90	2.0M	90°	2.40KG
GE14R15-90	3.0M	90°	3.60KG
GE14R20-45	4.0M	45°	3.10KG

LOAD TABLE

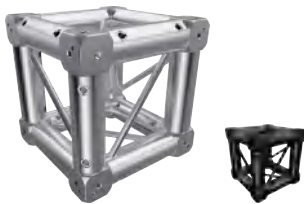
Span	UDL	Deflection	CPL	Deflection	Point load in third-point	Deflection	Point load in quarter-point	Deflection	Point load in fifth-point	Deflection
长度	承重量/m	弯曲度	中间点承重量	弯曲度	两点承重量	弯曲度	三点承重量	弯曲度	四点承重量	弯曲度
m	kg m	cm	kg	cm	kg	cm	kg	cm	kg	cm
2,00	104	0.43	172	0.56	104	0.58	69	0.54	52	0.51
3,00	69	1.44	113	1.27	85	1.61	57	1.5	47	1.59
4,00	42	2.81	84	2.27	63	2.87	42	2.67	35	2.83
5,00	26	4.4	65	3.58	49	4.49	33	4.19	27	4.43
6,00	18	6.35	53	5.21	40	6.48	26	6.07	22	6.4
7,00	12	8.68	43	7.18	33	8.85	22	8.31	18	8.74



Accessories

BOX CORNER

CODE GE14BOX



| 10 / 10 - 10

0.90KG

BOOK CORNER

CODE GE14BOOK CORNER

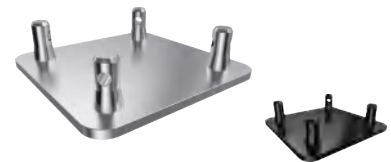


| 10 / 10 - 10

0.90KG

BASE PLATE

CODE GE14BASE



| 5 / 10 - 10

0.90KG

BOX HALF CONNECTOR

CODE 5014



CONICAL CONNECTOR

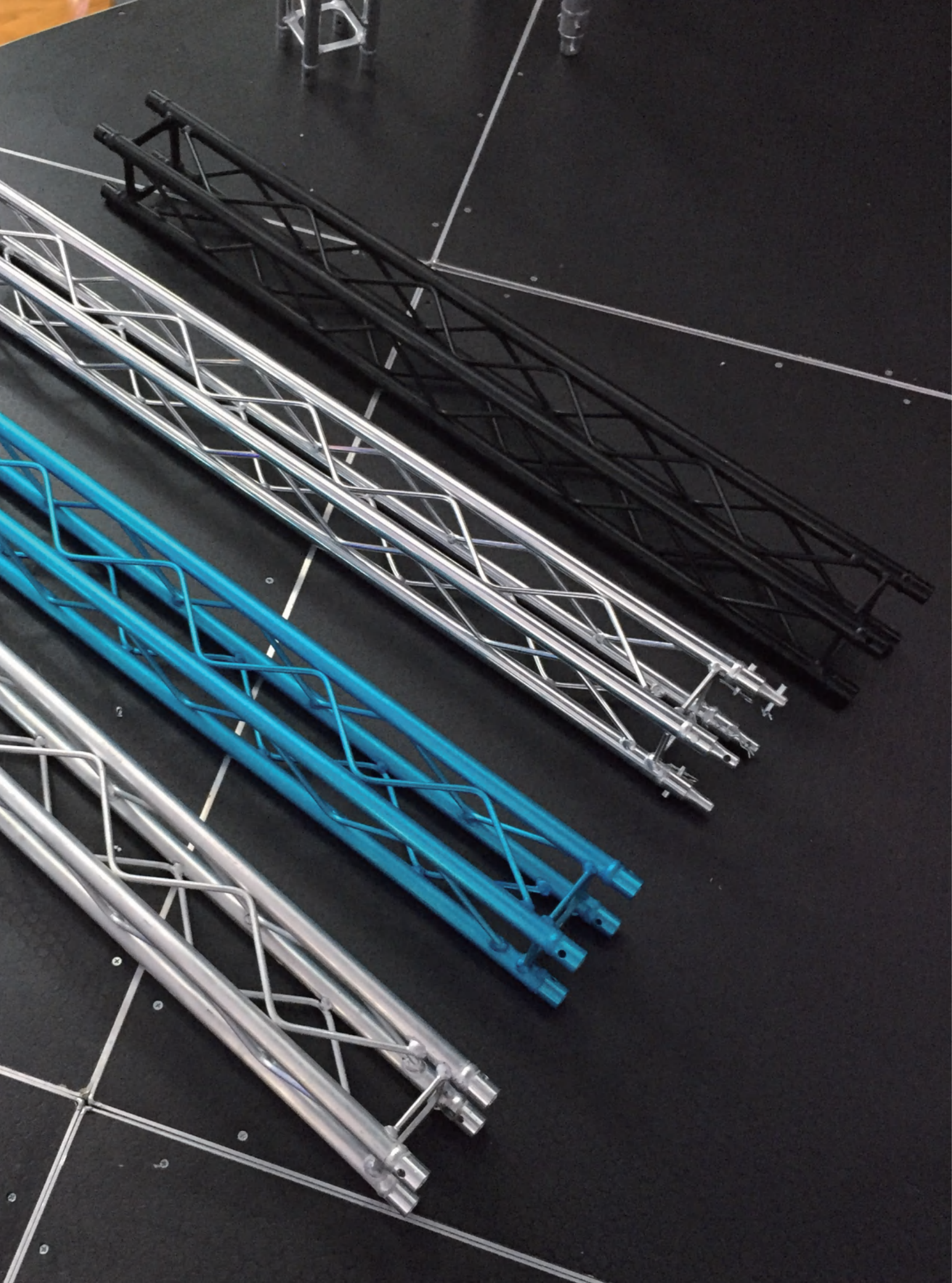
CODE 5003



PIN & R CLIP

CODE 5016



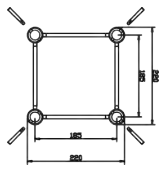




GE24 SQUARE

CODE	LENGTH	WEIGHT
GE24050	50CM	2.10KG
GE24100	100CM	3.50KG
GE24150	150CM	4.80KG
GE24200	200CM	6.10KG
GE24250	250CM	7.40KG
GE24300	300CM	8.80KG

SECTION

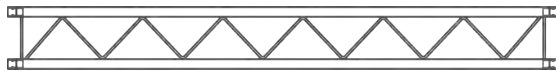
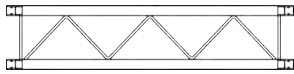


TECHNICAL DATA

Pipe Diameter	35mm
Thickness	1.6mm
Snakebrace	8mm
Material	EN AW 6082 T6
Connectors	Included

GE24 CIRCLE

CODE	DIAMETER	PART/DEG	WEIGHT
GE24R10-180	2.0M	180°	8.7KG
GE24R20-90	4.0M	90°	10.9KG
GE24R30-90	6.0M	90°	16.5KG
GE24R40-60	8.0M	60°	14.6KG



LOAD TABLE

Span	UDL	Deflection	CPL	Deflection	Point load in third-point	Deflection	Point load in quarter-point	Deflection	Point load in fifth-point	Deflection
长度	承重量/m	弯曲度	中间点承重量	弯曲度	三点承重量	弯曲度	四点承重量	弯曲度	五点承重量	弯曲度
m	kg m	cm	kg	cm	kg	cm	kg	cm	kg	cm
2,00	131	0.07	263	0.11	131	0.09	88	0.09	66	0.08
3,00	87	0.23	260	0.37	130	0.31	87	0.29	65	0.28
4,00	64	0.55	257	0.86	129	0.74	86	0.69	64	0.66
5,00	51	1.07	255	1.68	127	1.44	85	1.34	64	1.29
6,00	42	1.86	252	2.9	126	2.48	84	2.32	63	2.22
7,00	36	2.95	233	4.31	125	3.94	83	3.68	62	3.52
8,00	31	4.41	204	5.72	123	5.87	82	5.48	62	5.25
9,00	27	6.29	181	7.34	122	8.34	81	7.79	61	7.47
10,00	24	8.63	161	9.17	117	11.15	80	10.68	60	10.24



GE24 SQUARE

GE24 is a 4-point truss system. This provides optimum volume and load capacity for its construction size and a tube diameter of only 35mm. This system is connected via a special conical connector system, which is joined together to a complete form fit by means of a copper hammer, creating optimal traction.

GE24 finds application in trade fairs and shops, as well as in the event industry in general. It is also characterised by a minimum transport volume and the special lightweight design.

The conical connectors are of course included in the scope of delivery - special designs and powder coatings can be carried out at short notice.

GE24系列桁架为四方架系统，其材料均为通过EN认证的6082 T6铝合金型材，主管直径为35mm，副管为8mm铝棒，此桁架为插销连接方式，适用于工艺演出临时性结构的搭建，以及展会，商场，酒店等场所，其轻量化的设计，节省了人工和运输成本。桁架表面可做烤漆处理。

AVAILABLE IN



LADDER



TRIANGLE



CIRCULAR

45° 2 WAYS CORNER

CODE GE24C19



| 22 / 100 - 100

4.5KG

60° 2 WAYS CORNER

CODE GE24C20



| 22 / 100 - 100

4.1KG

90° 2 WAYS CORNER

CODE GE24C21



| 22 / 50 - 50

2.8KG

120° 2 WAYS CORNER

CODE GE24C22



| 22 / 50 - 50

3.1KG

135° 2 WAYS CORNER

CODE GE24C23



| 22 / 50 - 50

3.45KG

90° 3 WAYS CORNER

CODE GE24C30



| 50 / 50 - 50

3.75KG

3 WAYS T CORNER

CODE GE24T35



| 22 / 50 - 50

4.0KG

90° 4 WAYS CORNER

CODE GE24T40



| 50 / 50 - 22

3.9KG

4 WAYS CROSS CORNER

CODE GE24C41



| 50 / 50 - 50

3.1KG

5 WAYS CORNER

CODE GE24T55



| 50 / 50 - 50

4.1KG

BOX CORNER

CODE GE24BOX



| 22 / 22 - 22

2.2KG

BASE PLATE

CODE GE24BASE



| 5 / 23 - 23

2.2KG

BASE HALF CONNECTOR

CODE GE24BASE-C



BOX HALF CONNECTOR

CODE 49196



CONICAL CONNECTOR

CODE 5014



PIN & R CLIP

CODE 5016



END CAP MALE

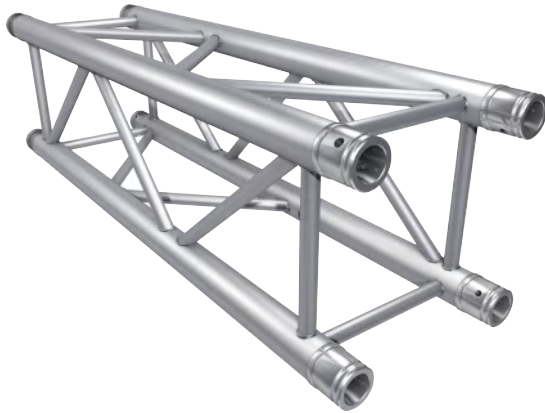
CODE 5008



SPACER

CODE GE24SPA

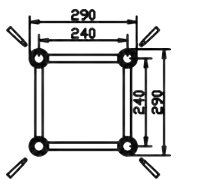




GE34 SQUARE (AVAILABLE IN BLACK)

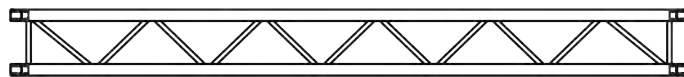
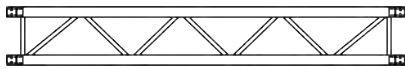
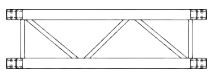
CODE	LENGTH	WEIGHT
GE34050	50CM	4.90KG
GE34100	100CM	7.50KG
GE34150	150CM	9.70KG
GE34200	200CM	12.00KG
GE34250	250CM	14.00KG
GE34300	300CM	16.00KG

SECTION



TECHNICAL DATA

Pipe Diameter	50mm
Wall Thickness	2mm
Braces	20x2mm
Material	EN AW 6082 T6
Connectors	Included



GE34 CIRCLE (AVAILABLE IN BALCK)

CODE	DIAMETER	PART/DEG	WEIGHT
GE34R10-180	2.0M	180°	17.00KG
GE34R15-90	3.0M	90°	13.00KG
GE34R20-90	4.0M	90°	16.40KG
GE34R25-45	5.0M	45°	11.20KG
GE34R30-60	6.0M	60°	16.20KG
GE34R35-45	7.0M	45°	15.00KG
GE34R40-45	8.0M	45°	16.50KG
GE34R45-45	9.0M	45°	19.00KG

LOAD TABLE

Span	UDL	Deflection	CPL	Deflection	Point load in third-point	Deflection	Point load in quarter-point	Deflection	Point load in fifth-point	Deflection
长度	承重量/m	弯曲度	中间点承重量	弯曲度	三点承重量	弯曲度	四点承重量	弯曲度	五点承重量	弯曲度
m	kg m	cm	kg	cm	kg	cm	kg	cm	kg	cm
4	501	1.36	922	1.01	627	1.16	496	1.28	393	1.29
5	344	2.3	763	1.64	528	1.93	411	2.09	324	2.09
6	241	3.36	649	2.43	455	2.89	346	3.06	274	3.09
7	177	4.61	562	3.39	398	4.06	297	4.22	237	4.29
8	135	6.06	494	4.51	353	5.42	260	5.56	208	5.68
9	106	7.71	440	5.8	316	7	230	7.1	185	7.28
10	85	9.55	395	7.26	285	8.77	205	8.82	166	9.07
11	69	11.6	357	8.89	258	10.76	185	10.75	150	11.08
12	58	13.85	324	10.71	236	12.97	168	12.87	136	13.29
13	48	16.29	296	12.71	216	15.39	153	15.19	125	15.7
14	41	18.95	271	14.91	199	18.03	140	17.71	114	18.33
15	35	21.81	249	17.3	183	20.89	128	20.44	105	21.18
16	30	24.88	229	19.9	169	23.99	118	23.38	97	24.24
17	26	28.16	211	22.71	157	27.32	109	26.53	89	27.52
18	23	31.65	195	25.74	146	30.89	100	29.9	82	31.03



GE34 SQUARE

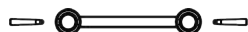
GE34 is a 4-point truss system. This provides optimum volume and load capacity for its construction size and a tube diameter of 50mm. This system is connected via a special conical connector system, which is joined together to a complete form fit by means of a copper hammer, creating optimal traction.

GE34 finds application in trade fairs and shops, as well as in the event industry in general. It is also characterised by a minimum transport volume and the special lightweight design.

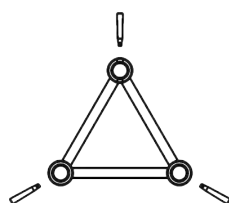
The conical connectors are of course included in the scope of delivery - special designs and powder coatings can be carried out at short notice.

GE34 系列桁架为四方架系统，其材料均为通过 EN 认证的 6082 T6 铝合金型材，主管直径为 50mm，管壁厚度 2mm，副管直径 20mm，管壁厚度 2mm。此桁架为插销连接方式，属于多用途桁架的一种，可完美解决中小型方案的载重需求，此桁架既适用于展会，酒店，商场等场所的装饰，也能用于灯具挂载。桁架的设计由德国工程师研发，生产遵循德国工业标准并荣获德国“RWTUV”认证，是一款极具性价比的优势产品。桁架可依照需求进行特殊造型定制，以及表面可做烤漆处理。

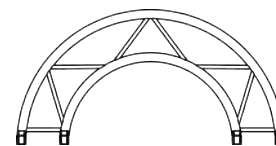
AVAILABLE IN



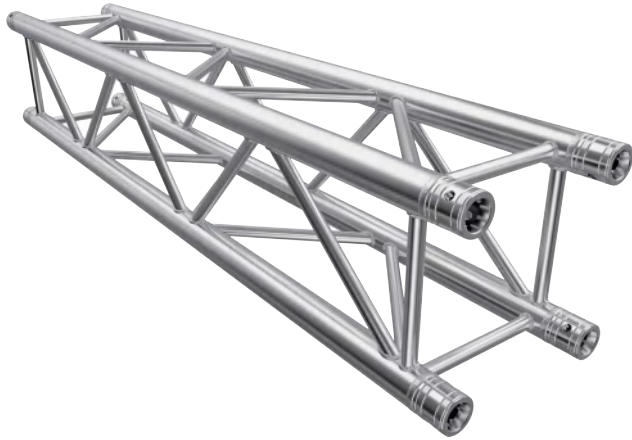
LADDER



TRIANGLE



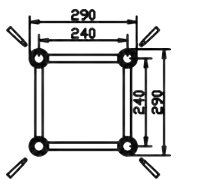
CIRCULAR



GE34P SQUARE (AVAILABLE IN BLACK)

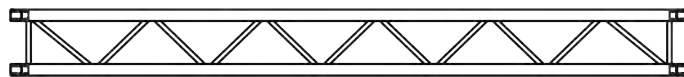
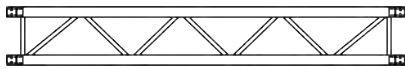
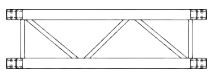
CODE	LENGTH	WEIGHT
GE34P050	50CM	5.00KG
GE34P100	100CM	7.30KG
GE34P150	150CM	9.60KG
GE34P200	200CM	12.00KG
GE34P250	250CM	14.00KG
GE34P300	300CM	16.40KG

SECTION



TECHNICAL DATA

Pipe Diameter	50mm
Wall Thickness	3mm
Braces	20x2mm
Material	EN AW 6082 T6
Connector	Included

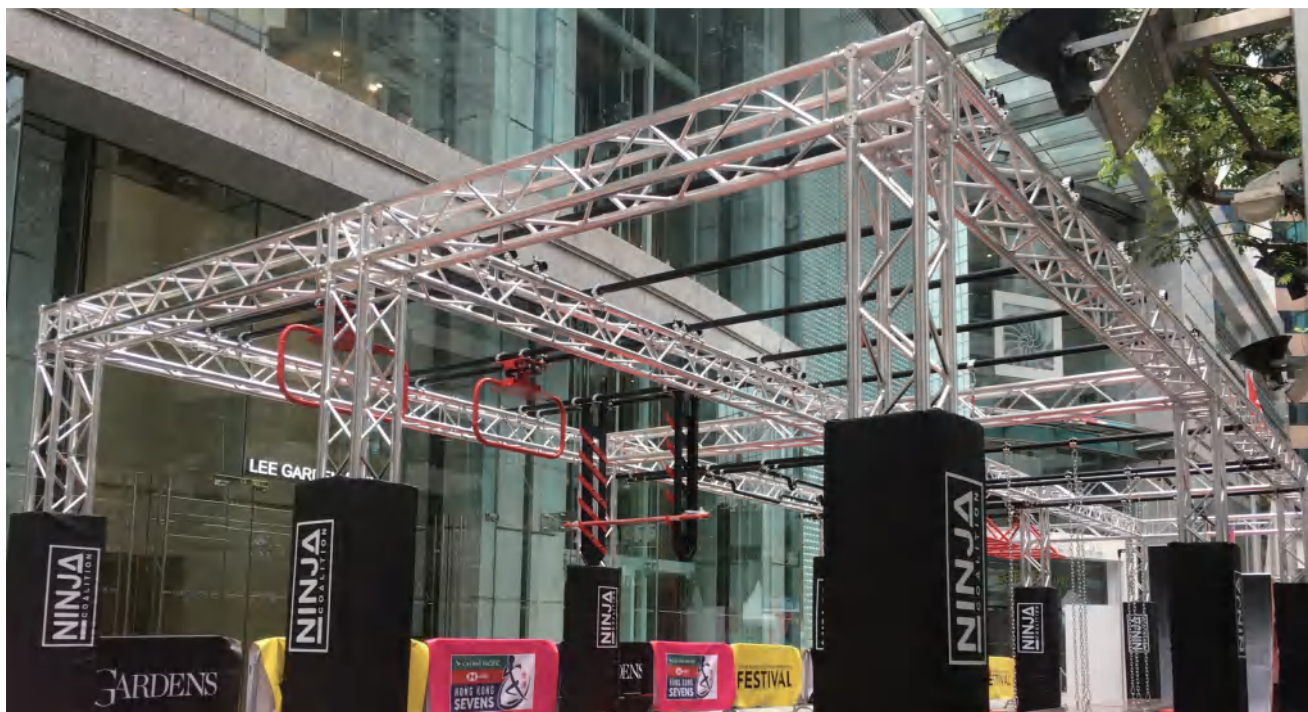


GE34P CIRCLE (AVAILABLE IN BALCK)

CODE	DIAMETER	PART/DEG	WEIGHT
GE34PR10-180	2.0M	180°	18.00KG
GE34PR15-90	3.0M	90°	14.00KG
GE34PR20-90	4.0M	90°	17.40KG
GE34PR25-45	5.0M	45°	12.20KG
GE34PR30-60	6.0M	60°	17.20KG
GE34PR35-45	7.0M	45°	16.00KG
GE34PR40-45	8.0M	45°	17.50KG
GE34PR45-45	9.0M	45°	20.00KG

LOAD TABLE

Span	UDL	Deflection	CPL	Deflection	Point load in third-point	Deflection	Point load in quarter-point	Deflection	Point load in fifth-point	Deflection
长度	承重量/m	弯曲度	中间点承重量	弯曲度	三点承重量	弯曲度	四点承重量	弯曲度	五点承重量	弯曲度
m	kg m	cm	kg	cm	kg	cm	kg	cm	kg	cm
4	500	0.93	1350	1	911	1.15	667	1.17	500	1.12
5	399	1.82	1120	1.63	774	1.92	605	2.09	476	2.09
6	331	3.14	954	2.42	668	2.88	509	3.05	403	3.08
7	261	4.61	829	3.37	586	4.04	438	4.21	350	4.27
8	200	6.06	730	4.49	520	5.4	384	5.55	308	5.66
9	157	7.7	651	5.76	467	6.96	341	7.08	274	7.25
10	126	9.54	586	7.21	422	8.73	305	8.8	247	9.04
11	104	11.58	531	8.83	384	10.71	276	10.71	224	11.04
12	86	13.82	484	10.62	352	12.89	251	12.82	204	13.23
13	73	16.26	444	12.59	324	15.29	229	15.12	187	15.64
14	62	18.91	408	14.75	299	17.91	211	19.63	172	18.25
15	53	21.75	377	17.09	277	20.74	194	20.33	159	21.07
16	46	24.81	349	19.63	257	23.8	179	23.24	147	24.11
17	40	28.07	323	22.37	239	27.08	166	26.35	136	27.35
18	35	31.54	301	25.31	223	30.59	154	29.68	127	31.82



GE34P SQUARE

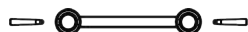
GE34P is a 4-point truss system. This provides optimum volume and load capacity for its construction size and a tube diameter of 50mm. This system is connected via a special conical connector system, which is joined together to a complete form fit by means of a copper hammer, creating optimal traction.

GE34P finds application in trade fairs and shops, as well as in the event industry in general. It is also characterised by a minimum transport volume and the special lightweight design.

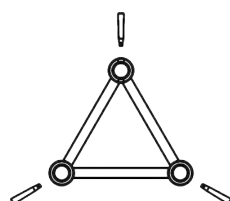
The conical connectors are of course included in the scope of delivery - special designs and powder coatings can be carried out at short notice.

GE34P 系列桁架为四方架系统，其材料均为通过 EN 认证的 6082 T6 铝合金型材，主管直径为 50mm，管壁厚度 3mm，副管直径 20mm，管壁厚度 2mm。此桁架为插销连接方式，属于多用途桁架的一种，可完美解决中小型方案的载重需求，此桁架既适用于展会，酒店，商场等场所的装饰，也能用于灯具挂载。桁架的设计由德国工程师研发，生产遵循德国工业标准并荣获德国“RWTUV”认证，是一款极具性价比的优势产品。桁架可依照需求进行特殊造型定制，以及表面可做烤漆处理。

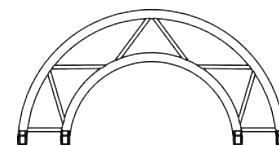
AVAILABLE IN



LADDER



TRIANGLE



CIRCULAR



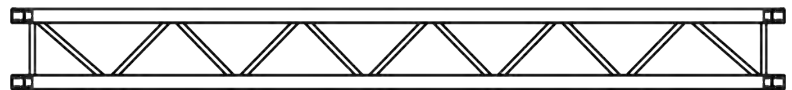
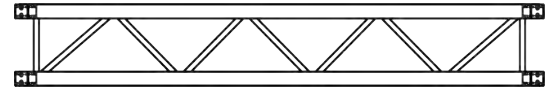
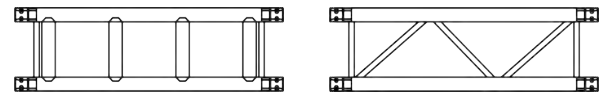
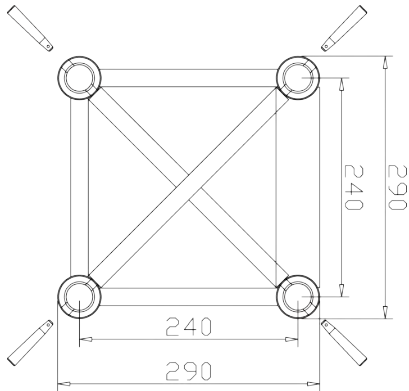
GE34H SQUARE (AVAILABLE IN BLACK)

CODE	LENGTH	WEIGHT
GE34H050	50CM	7.30KG
GE34H100	100CM	9.60KG
GE34H150	150CM	12.00KG
GE34H200	200CM	14.00KG
GE34H250	250CM	16.40KG
GE34H300	300CM	18.70KG

TECHNICAL DATA

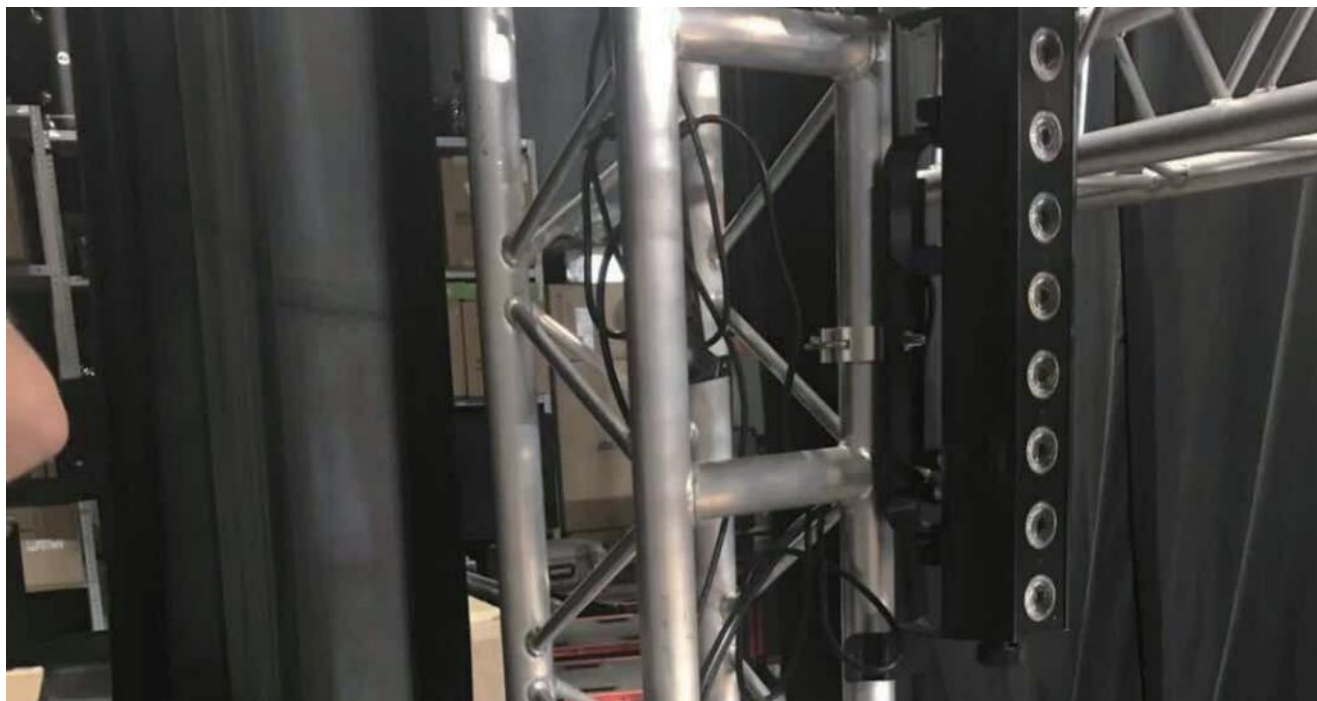
Pipe Diameter	50mm
Wall Thickness	2mm
Braces	20x2mm
Material	EN AW 6082 T6
Connector	Included

SECTION



LOAD TABLE

Span	UDL	Deflection	CPL	Deflection	Point load in third-point	Deflection	Point load in quarter-point	Deflection	Point load in fifth-point	Deflection
长度	承重量/m	弯曲度	中间点承重量	弯曲度	三点承重量	弯曲度	四点承重量	弯曲度	五点承重量	弯曲度
m	kg m	cm	kg	cm	kg	cm	kg	cm	kg	cm
4	502.5	1.36	629	0.8	552.5	1.3	444.3	1.28	396.6	1.29
5	320.2	2.3	569.8	1.01	492.6	2.18	387.5	2.09	332.2	2.09
6	221	3.36	520.8	1.64	444.3	3	331.7	3.06	275.3	3.09
7	160	4.61	479.5	2.43	404.7	4.2	282.4	4.22	234.4	4.29
8	122	6.06	444.3	3.39	367.9	5.8	245.3	5.56	203.6	5.68
9	95	7.71	413.9	4.51	324.2	7	216.1	7.1	179.4	7.28
10	76	9.55	385.2	5.8	288.9	8.3	192.6	8.82	159.9	9.07
11	62	11.6	346.4	7.26	259.8	10.76	173.2	10.75	143.7	11.08
12	51	13.85	313.6	8.89	235.3	12.97	156.8	12.87	130.2	13.29
13	43	16.29	285.7	10.71	214.3	15.39	142.8	15.19	118.6	15.7
14	36	18.95	241.4	12.71	196.1	18.03	130.7	17.71	108.5	18.33
15	31	21.81	240.1	14.91	180.1	20.89	120.1	20.44	99.6	21.18
16	27	24.88	221.2	17.3	165.9	23.99	110.6	23.38	91.8	24.24
17	24	28.16	204.4	19.9	153.3	27.32	102.2	26.53	84.8	27.52
18	21	31.65	189.1	22.71	141.8	30.89	94.6	29.9	78.6	31.03



GE34H SQUARE

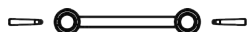
GE34H is a 4-point truss system. This provides optimum volume and load capacity for its construction size and a tube diameter of 50mm. This system is connected via a special conical connector system, which is joined together to a complete form fit by means of a copper hammer, creating optimal traction.

GE34H finds application in trade fairs and shops, as well as in the event industry in general. It is also characterised by a minimum transport volume and the special lightweight design.

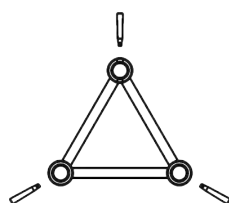
The conical connectors are of course included in the scope of delivery - special designs and powder coatings can be carried out at short notice.

GE34H系列桁架为四方架系统，其材料均为通过 EN 认证的 6082 T6 铝合金型材，主管直径为 50mm，管壁厚度 2mm，副管直径 20mm，管壁厚度 2mm。此桁架为插销连接方式，属于多用途桁架的一种，可完美解决中小型方案的载重需求，此桁架既适用于展会，酒店，商场等场所的装饰，也能用于灯具挂载。桁架的设计由德国工程师研发，生产遵循德国工业标准并荣获德国“RWTUV”认证，是一款极具性价比的优势产品。桁架可依照需求进行特殊造型定制，以及表面可做烤漆处理

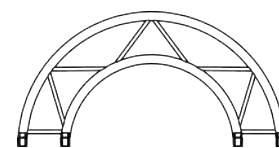
AVAILABLE IN



LADDER



TRIANGLE



CIRCULAR



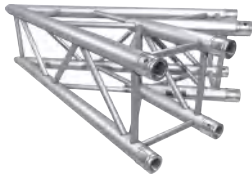
GE34 CIRCLE (AVALIABLE IN BALCK)



CODE	DIAMETER	PART/DEG	WEIGHT
GE34R10-180	2.0M	180°	17.00KG
GE34R15-90	3.0M	90°	13.00KG
GE34R20-90	4.0M	90°	16.40KG
GE34R25-45	5.0M	45°	11.20KG
GE34R30-60	6.0M	60°	16.20KG
GE34R35-45	7.0M	45°	15.00KG
GE34R40-45	8.0M	45°	16.50KG
GE34R45-45	9.0M	45°	19.00KG

45° 2 WAYS CORNER

CODE GE34C19



| 29 / 100 - 100

8.85KG

60° 2 WAYS CORNER

CODE GE34C20



| 29 / 100 - 100

9.97KG

90° 2 WAYS CORNER

CODE GE34C21



| 29 / 50 - 50

6.27KG

120° 2 WAYS CORNER

CODE GE34C22



| 29 / 50 - 50

6.48KG

135° 2 WAYS CORNER

CODE GE34C23



| 29 / 50 - 50

6.63KG

90° 3 WAYS CORNER

CODE GE34C30



| 50 / 50 - 50

8.98KG

3 WAYS T CORNER

CODE GE34T35



| 29 / 50 - 50

7.82KG

90° 4 WAYS CORNER

CODE GE34T40



| 50 / 50 - 50

9.55KG

4 WAYS CROSS CORNER

CODE GE34T41



| 50 / 50 - 29

8.85KG

5 WAYS CORNER

CODE GE34C55



| 50 / 50 - 50

11.48KG

BOX CORNER

CODE GE34BOX

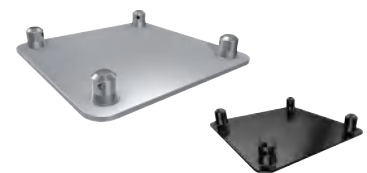


| 29 / 29 - 29

5.69KG

BASE PLATE

CODE GE34BASE



| 5 / 30 - 30

1.5KG

<p>FLEXIBLE CORNER</p>	<p>SPINDLE</p>	<p>BOX SPACER</p>
<p>CODE GE34FC0-180</p>  <p> 29 / 8 - 34</p> <p>9.9KG</p>	<p>CODE GE34SD</p>  <p> 35 / 29 - 29</p> <p>2.5KG</p>	<p>CODE GE34BOXS105F CODE GE34BOXS210F</p> 
<p>BOX HALF CONNECTOR</p>	<p>BASE HALF CONNECTOR</p>	<p>CONICAL CONNECTOR</p>
<p>CODE GE34BOX-C</p> 	<p>CODE 5003(ALUMINUM) CODE 5010(STEEL)</p> 	<p>CODE 5002</p> 
<p>CONICAL HINGE</p>	<p>PIN</p>	<p>R CLIP</p>
<p>CODE 5029SR CODE 5029SL</p> 	<p>CODE 5004PIN</p> 	<p>CODE 5004CLIP</p> 
<p>PIN & BOLT</p>	<p>SPACER MALE</p>	<p>SPACER FEMALE</p>
<p>CODE 5005</p> 	<p>CODE 5019M105 CODE 5020M170 CODE 5021M210</p> 	<p>CODE 5019F105 CODE 5020F170 CODE 5021F210</p> 





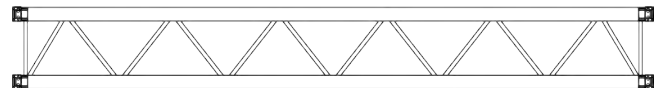
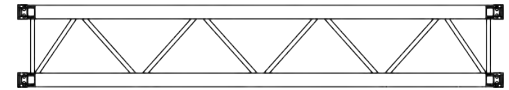
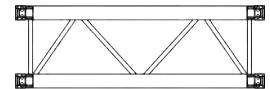
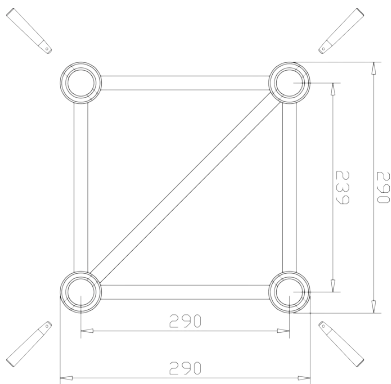
GE34X SQUARE (AVAILABLE IN BLACK)

CODE	LENGTH	WEIGHT
GE34X050	50CM	4.90KG
GE34X100	100CM	7.50KG
GE34X150	150CM	9.70KG
GE34X200	200CM	12.00KG
GE34X250	250CM	14.00KG
GE34X300	300CM	16.00KG

TECHNICAL DATA

Pipe Diameter	50mm
Wall Thickness	2mm
Braces	16x2mm
Material	EN AW 6082 T6
Connector	Included

SECTION



LOAD TABLE

Span	UDL	Deflection	CPL	Deflection	Point load in third-point	Deflection	Point load in quarter-point	Deflection	Point load in fifth-point	Deflection
长度	承重量/m	弯曲度	中间点承重量	弯曲度	三点承重量	弯曲度	四点承重量	弯曲度	五点承重量	弯曲度
m	kg/m	cm	kgs	cm	kgs	cm	kgs	cm	kgs	cm
3	650	1	1215	0.8	853.5	1.3	650	1.28	487.5	1.29
4	486.4	1.8	959.5	1.01	664	2.18	523.6	2.09	4112	2.09
5	367.1	2.8	791.1	1.64	555.2	3	424.9	3.06	337.3	3.09
6	253.5	4.1	671.5	2.43	476.1	4.2	356.6	4.22	285.4	4.29
7	185.1	5.5	581.9	3.39	415.9	5.8	306.5	5.56	246.7	5.68
8	140.6	7.2	5122	5.8	368.5	7	268.1	7.1	216.7	7.28
9	110.1	9.2	456.2	7.26	330	8.3	237.5	8.82	192.7	9.07
10	88.3	11.3	410.1	8.89	298.1	10.76	212.7	10.75	173.1	11.08
11	72.2	13.7	371.4	10.71	271.2	12.97	191.9	12.87	156.6	13.29
12	59.9	16.3	338.4	12.71	248.1	15.39	174.4	15.19	142.7	15.7
13	50.4	19.1	309.9	14.91	228.1	18.03	159.2	17.71	130.6	18.33
14	42.8	22.2	284.9	17.3	210.5	20.89	146.1	20.44	120	21.18
15	36.7	25.5	262.7	19.9	194.8	23.99	134.4	23.38	110.7	24.24
16	31.7	29	2429	22.71	180.8	27.32	124.1	26.53	102.3	27.52
						30.89		29.9		31.03



GE34X SQUARE

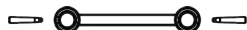
GE34X is a 4-point truss system. This provides optimum volume and load capacity for its construction size and a tube diameter of 50mm. This system is connected via a special conical connector system, which is joined together to a complete form fit by means of a copper hammer, creating optimal traction.

GE34X finds application in trade fairs and shops, as well as in the event industry in general. It is also characterised by a minimum transport volume and the special lightweight design.

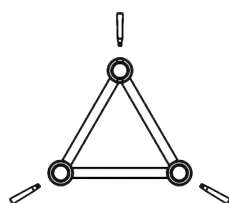
The conical connectors are of course included in the scope of delivery - special designs and powder coatings can be carried out at short notice.

GE34X 系列桁架为四方架系统，其材料均为通过 EN 认证的 6082 T6 铝合金型材，主管直径为 50mm，管壁厚度 2mm，副管直径 16mm，管壁厚度 2mm。此桁架为插销连接方式，属于多用途桁架的一种，可完美解决中小型方案的载重需求，此桁架既适用于展会，酒店，商场等场所的装饰，也能用于灯具挂载。桁架的设计由德国工程师研发，生产遵循德国工业标准并荣获德国“RWTUV”认证，是一款极具性价比的优势产品。桁架可依照需求进行特殊造型定制，以及表面可做烤漆处理

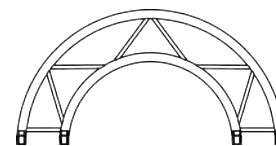
AVAILABLE IN



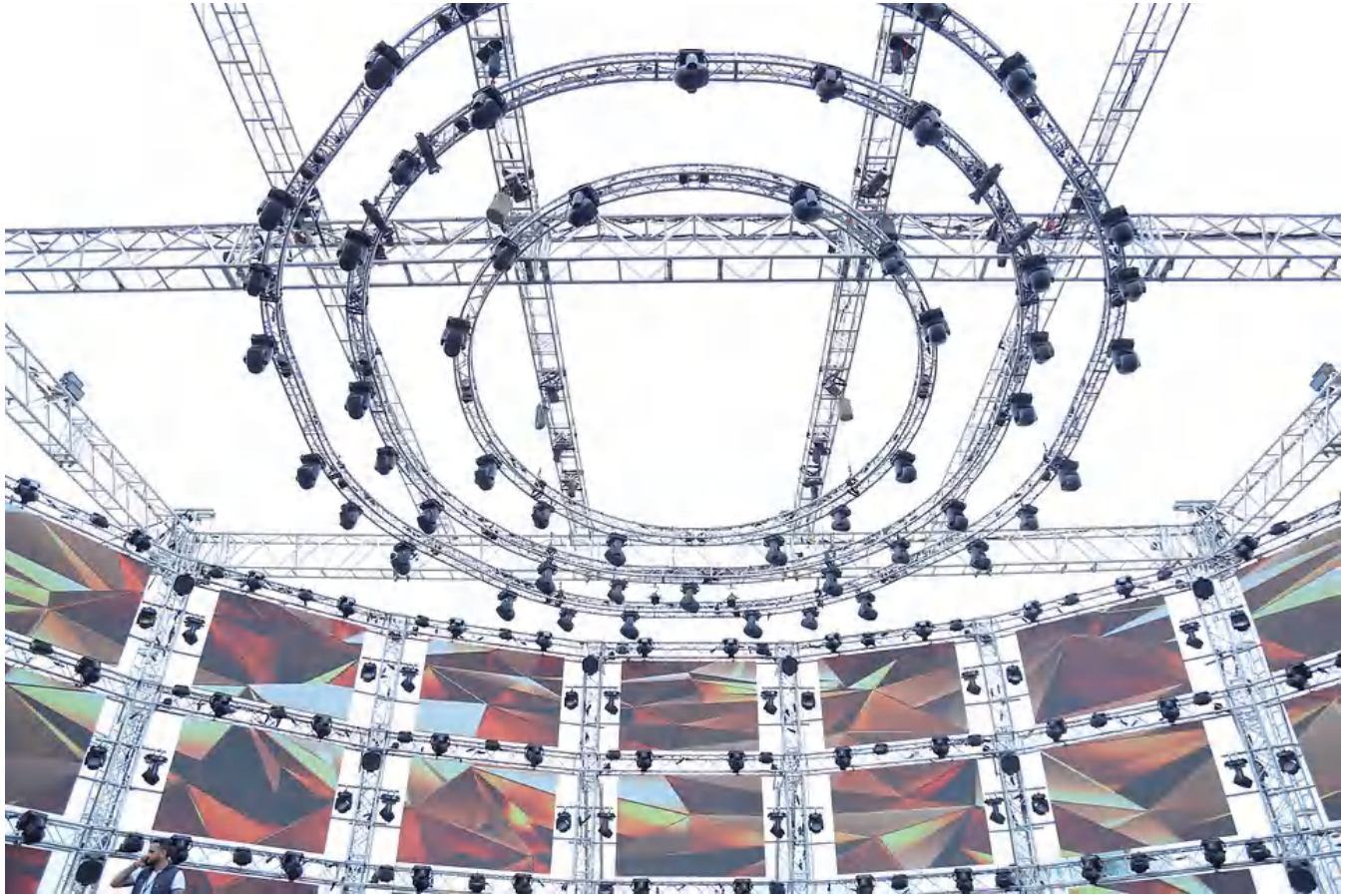
LADDER



TRIANGLE



CIRCULAR



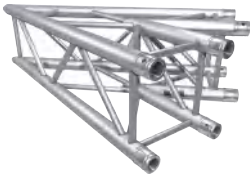
GE34X CIRCLE (AVAILABLE IN BLACK)



CODE	DIAMETER	PART/DEG	WEIGHT
GE34XR10-180	2.0M	180°	17.00KG
GE34XR15-90	3.0M	90°	13.00KG
GE34XR20-90	4.0M	90°	16.40KG
GE34XR25-45	5.0M	45°	11.20KG
GE34XR30-60	6.0M	60°	16.20KG
GE34XR35-45	7.0M	45°	15.00KG
GE34XR40-45	8.0M	45°	16.50KG
GE34XR45-45	9.0M	45°	19.00KG

45° 2 WAYS CORNER

CODE GE34XC19



| 29 / 100 - 100

8.85KG

60° 2 WAYS CORNER

CODE GE34XC20



| 29 / 100 - 100

9.97KG

90° 2 WAYS CORNER

CODE GE34XC21



| 29 / 50 - 50

6.27KG

120° 2 WAYS CORNER

CODE GE34XC22



| 29 / 50 - 50

6.48KG

135° 2 WAYS CORNER

CODE GE34XC23



| 29 / 50 - 50

6.63KG

90° 3 WAYS CORNER

CODE GE34XC30



| 50 / 50 - 50

8.98KG

3 WAYS T CORNER

CODE GE34XT35



| 29 / 50 - 50

7.82KG

90° 4 WAYS CORNER

CODE GE34XT40



| 50 / 50 - 50

9.55KG

4 WAYS CROSS CORNER

CODE GE34XT41



| 50 / 50 - 29

8.85KG

5 WAYS CORNER

CODE GE34XC55



| 50 / 50 - 50

11.48KG

BOX CORNER

CODE GE34XBOX

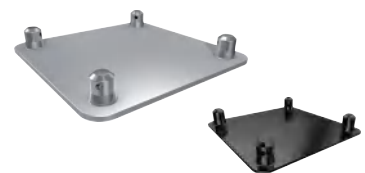


| 29 / 29 - 29

5.69KG

BASE PLATE

CODE GE34XBASE



| 5 / 30 - 30

1.5KG

FLEXIBLE CORNER

CODE GE34FC0-180



| 29 / 8 - 34

9.9KG

SPINDLE

CODE GE34SD



| 35 / 29 - 29

2.5KG

BOX SPACER

CODE GE34BOXS105F
CODE GE34BOXS210F



BOX HALF CONNECTOR

CODE GE34BOX-C



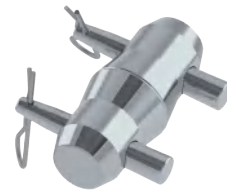
BASE HALF CONNECTOR

CODE 5003(ALUMINUM)
CODE 5010(STEEL)



CONICAL CONNECTOR

CODE 5002



CONICAL HINGE

CODE 5029SR
CODE 5029SL



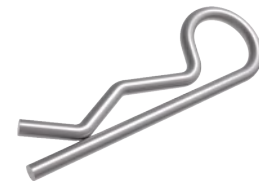
PIN

CODE 5004PIN



R CLIP

CODE 5004CLIP



PIN & BOLT

CODE 5005



SPACER MALE

CODE 5019M105
CODE 5020M170
CODE 5021M210



SPACER FEMALE

CODE 5019F105
CODE 5020F170
CODE 5021F210



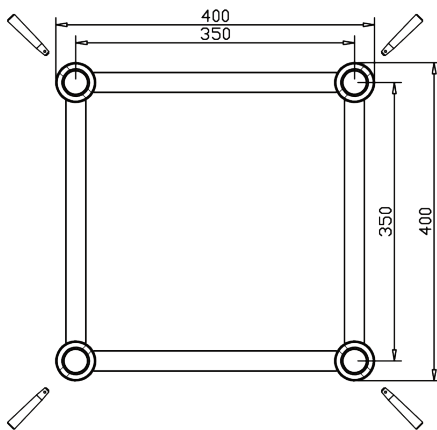




GE44 SQUARE(AVAILABLE IN BLACK)

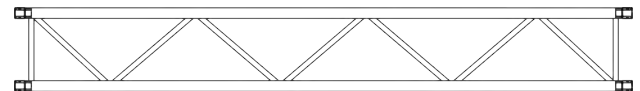
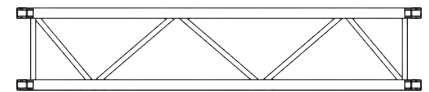
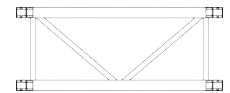
CODE	LENGTH	WEIGHT
GE44050	50CM	6.40KG
GE44100	100CM	9.20KG
GE44150	150CM	12.10KG
GE44200	200CM	16.90KG
GE44250	250CM	18.90KG
GE44300	300CM	21.00KG

SECTION



TECHNICAL DATA

Pipe Diameter	50mm
Wall Thickness	2.0mm
Braces	25 x 3mm
Material	EN AW 6082 T6
Connectors	Included



LOAD TABLE

Span	UDL	Deflection	CPL	Deflection	Point load in third-point	Deflection	Point load in quarter-point	Deflection	Point load in fifth-point	Deflection
长度	承重量/m	弯曲度	中间点承重量	弯曲度	两点承重量	弯曲度	三点承重量	弯曲度	四点承重量	弯曲度
m	kg m	cm	kg	cm	kg	cm	kg	cm	kg	cm
4,00	716	0.92	1232	0.64	809	0.71	611	0.75	517	0.81
5,00	481	1.52	1037	1.06	696	1.2	540	1.3	444	1.36
6,00	342	2.25	893	1.58	609	1.83	483	2.02	380	2.03
7,00	254	3.12	782	2.22	540	2.6	424	2.83	332	2.83
8,00	195	4.12	694	2.97	484	3.5	372	3.75	294	3.77
9,00	154	5.26	622	3.83	437	4.54	332	4.79	263	4.85
10,00	125	6.54	562	4.81	398	5.73	298	5.97	238	6.06
11,00	102	7.95	512	5.91	364	7.06	270	7.28	216	7.42
12,00	85	9.5	468	7.13	335	8.53	246	8.73	198	8.92
13,00	72	11.19	430	8.47	309	10.15	225	10.31	182	10.56
14,00	61	13.02	397	9.94	286	11.92	207	12.03	168	12.34
15,00	53	14.99	367	11.54	266	13.84	191	13.89	155	14.27
16,00	46	17.1	341	13.27	248	15.91	177	15.89	144	16.35
17,00	40	19.35	317	15.14	231	18.14	165	18.03	134	18.58
18,00	35	21.75	295	17.15	216	20.53	153	20.32	125	20.95
19,00	31	24.29	275	19.3	202	23.08	142	22.75	116	23.48
20,00	27	26.98	257	21.61	189	25.79	133	25.33	109	26.16



GE44 SQUARE

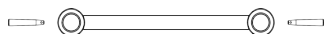
GE44 is a 4-point truss system. This provides optimum volume and load capacity for its construction size and a tube diameter of 50mm. This system is connected via a special conical connector system, which is joined together to a complete form fit by means of a copper hammer, creating optimal traction.

GE44 finds application in trade fairs and shops, as well as in the event industry in general. It is also characterised by a minimum transport volume and the special lightweight design.

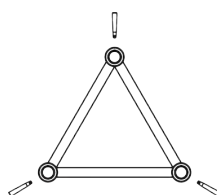
The conical connectors are of course included in the scope of delivery - special designs and powder coatings can be carried out at short notice.

GE44 系列桁架为四方架系统，其材料均为通过 EN 认证的 6082 T6 铝合金型材，主管直径为 50mm，管壁厚度 2mm，副管直径 25mm，管壁厚度 3mm。此桁架为插销连接方式，属于中型载重桁架，主要为了解决中大型方案中的载重需求，适用于屋顶类方案中的顶部以及升降系统部分。桁架的设计由德国工程师研发，生产遵循德国工业标准，并荣获德国“RWTUV”认证是一款极具性价比的优势产品。桁架可依照需求进行特殊造型定制，以及表面可做烤漆处理。

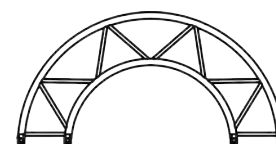
AVAILABLE IN



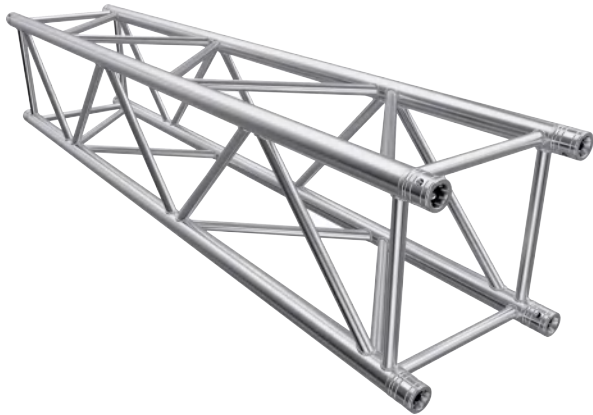
LADDER



TRIANGLE



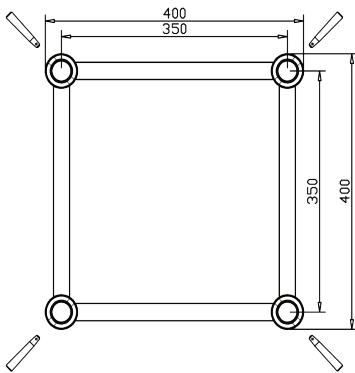
CIRCULAR



GE44P SQUARE(AVAILABLE IN BLACK)

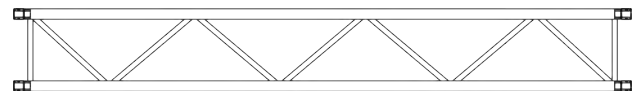
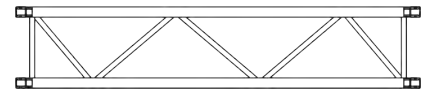
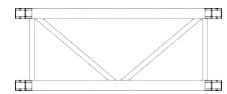
CODE	LENGTH	WEIGHT
GE44P050	50CM	6.50KG
GE44P100	100CM	9.50KG
GE44P150	150CM	12.40KG
GE44P200	200CM	15.80KG
GE44P250	250CM	18.60KG
GE44P300	300CM	21.70KG
GE44P350	350CM	24.60KG

SECTION



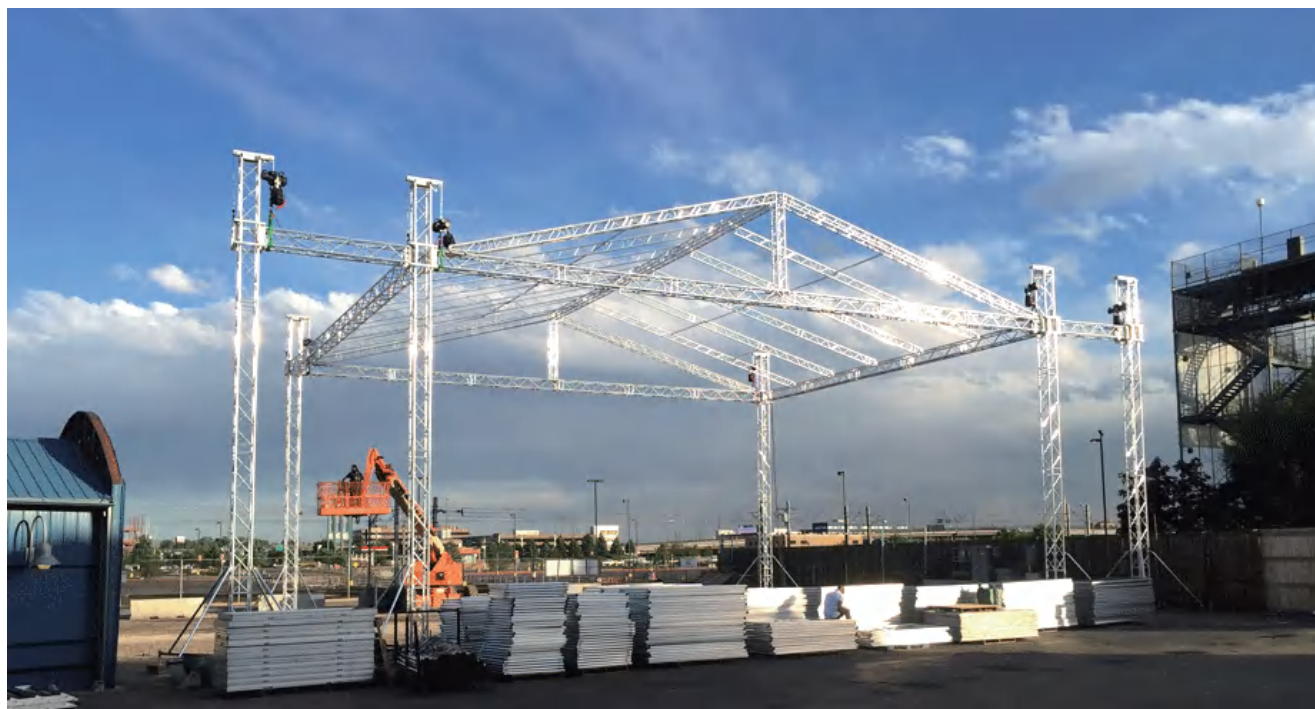
TECHNICAL DATA

Pipe Diameter	50mm
Wall Thickness	3mm
Brace	25 x 3mm
Material	EN AW 6082 T6
Connectors	Included



LOAD TABLE

Span	UDL	Deflection	CPL	Deflection	Point load in third-point	Deflection	Point load in quarter-point	Deflection	Point load in fifth-point	Deflection
长度	承重量/m	弯曲度	中间点承重量	弯曲度	两点承重量	弯曲度	三点承重量	弯曲度	四点承重量	弯曲度
m	kg m	cm	kg	cm	kg	cm	kg	cm	kg	cm
4	942	0.83	1801	0.63	1180	0.71	888	0.74	757	0.8
5	706	1.51	1520	1.05	1018	1.19	787	1.29	650	1.35
6	503	2.25	1311	1.57	893	1.82	706	2	559	2.02
7	374	3.11	1151	2.21	793	2.58	624	2.82	489	2.82
8	288	4.12	1023	2.95	712	3.48	549	3.74	433	3.75
9	228	5.25	919	3.81	644	4.52	490	4.78	389	4.83
10	185	6.53	832	4.78	588	5.7	441	5.95	352	6.04
11	152	7.94	759	5.87	539	7.02	401	7.26	321	7.39
12	127	9.48	697	7.07	497	8.48	366	8.69	294	8.88
13	108	11.17	642	8.4	460	10.09	336	10.27	271	10.51
14	92	12.99	594	9.84	427	11.84	310	11.97	251	12.28
15	79	14.95	552	11.41	398	13.74	288	13.82	233	14.2
16	69	17.05	514	13.11	372	15.79	267	15.8	217	16.26
17	60	19.29	480	14.94	349	17.99	249	17.92	202	18.46
18	53	21.67	449	16.9	327	20.34	233	20.18	189	20.82
19	47	24.2	420	19	307	22.85	218	22.59	177	23.32
20	42	26.87	395	12.24	289	25.52	204	25.13	166	25.97



FS44P SQUARE

FS44P is a 4-point truss system. This provides optimum volume and load capacity for its construction size and a tube diameter of 50mm. This system is connected via a special conical connector system, which is joined together to a complete form fit by means of a copper hammer, creating optimal traction.

FS44P finds application in trade fairs and shops, as well as in the event industry in general. It is also characterised by a minimum transport volume and the special lightweight design.

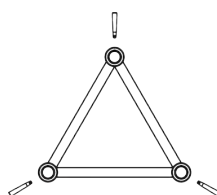
The conical connectors are of course included in the scope of delivery - special designs and powder coatings can be carried out at short notice.

FS44P 系列桁架为四方架系统，其材料均为通过 EN 认证的 6082 T6 铝合金型材，主管直径为 50mm，管壁厚度 3mm，副管直径 25mm，管壁厚度 3mm。此桁架为插销连接方式，属于中型载重桁架，主要为了解决中大型方案中的载重需求，适用于屋顶类方案中的顶部以及升降系统部分。桁架的设计由德国工程师研发，生产遵循德国工业标准，并荣获德国“RWTUV”认证是一款极具性价比的优势产品。桁架可依照需求进行特殊造型定制，以及表面可做烤漆处理。

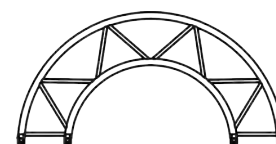
AVAILABLE IN



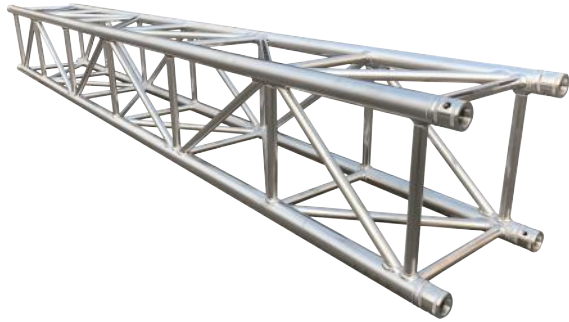
LADDER



TRIANGLE



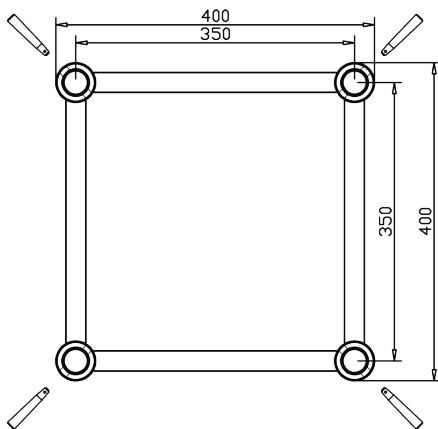
CIRCULAR



GE44C SQUARE(AVAILABLE IN BLACK)

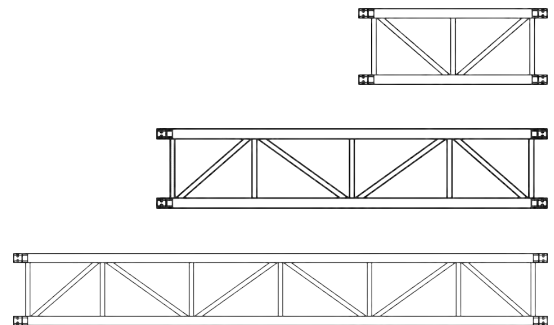
CODE	LENGTH	WEIGHT
GE44C050	50CM	7.00KG
GE44C100	100CM	11.18KG
GE44C150	150CM	12.10KG
GE44C200	200CM	16.90KG
GE44C250	250CM	18.90KG
GE44C300	300CM	21.00KG

SECTION



TECHNICAL DATA

Pipe Diameter	50mm
Wall Thickness	3mm
Brace	25 x 3mm
Material	EN AW 6082 T6
Connectors	Included



LOAD TABLE

Span	UDL	Deflection	CPL	Deflection	Point load in third-point	Deflection	Point load in quarter-point	Deflection	Point load in fifth-point	Deflection
长度	承重量/m	弯曲度	中间点承重量	弯曲度	两点承重量	弯曲度	三点承重量	弯曲度	四点承重量	弯曲度
m	kg m	cm	kg	cm	kg	cm	kg	cm	kg	cm
4	1036.2	0.58	1981.1	0.44	1298	0.49	976.8	0.51	832.7	0.56
5	776.6	1.05	1672	0.73	1119.8	0.83	865.7	0.90	715	0.94
6	553.3	1.57	1442.1	1.09	982.3	1.27	776.6	1.4	614.9	1.41
7	411.4	2.17	1266.1	1.54	872.3	1.80	686.4	1.97	537.9	1.97
8	316.8	2.88	1125.3	2.06	783.2	2.43	603.9	2.61	476.3	2.62
9	250.8	3.67	1010.9	2.66	708.4	3.16	539	3.34	427.9	3.38
10	203.5	4.57	915.2	3.34	646.8	3.99	485.1	4.16	387.2	4.22
11	167.2	5.55	834.9	4.10	592.9	4.91	441.1	5.08	353.1	5.17
12	139.7	6.63	766.7	4.94	546.7	5.93	402.6	6.08	323.4	6.21
13	118.8	7.81	706.2	5.88	506	7.06	369.6	7.18	298.1	7.35
14	101.2	9.09	653.4	6.88	469.7	8.28	341	8.37	276.1	8.59
15	86.9	10.4	607.2	7.98	437.8	9.61	316.8	9.67	256.3	9.94
16	75.9	11.9	565.4	9.17	409.2	11.0	293.7	11.0	238.7	11.3
17	66	13.5	528	10.4	383.9	12.5	273.9	12.5	222.2	12.9
18	58.3	15.1	493.9	11.8	359.7	14.2	256.3	14.1	207.9	14.5
19	51.7	16.9	462	13.3	337.7	15.9	239.8	15.8	194.7	16.3
20	46.2	18.8	434.5	14.8	317.9	17.8	224.4	17.5	182.6	18.1



GE44C SQUARE

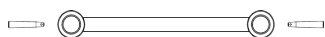
GE44C is a 4-point truss system. This provides optimum volume and load capacity for its construction size and a tube diameter of 50mm. This system is connected via a special conical connector system, which is joined together to a complete form fit by means of a copper hammer, creating optimal traction.

GE44C finds application in trade fairs and shops, as well as in the event industry in general. It is also characterised by a minimum transport volume and the special lightweight design.

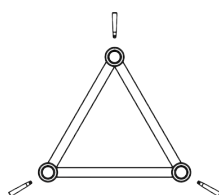
The conical connectors are of course included in the scope of delivery - special designs and powder coatings can be carried out at short notice.

GE44C 系列桁架为四方架系统，其材料均为通过 EN 认证的 6082 T6 铝合金型材，主管直径为 50mm，管壁厚度 3mm，副管直径 25mm，管壁厚度 3mm。此桁架为插销连接方式，属于中型桁架，主要为了解决中大型方案中的载重需求，适用于屋顶类方案中的顶部以及升降系统部分。桁架的设计由德国工程师研发，生产遵循德国工业标准，并荣获德国“RWTUV”认证，是一款极具性价比的优势产品。桁架可依照需求进行特殊造型定制，以及表面可做烤漆处理。

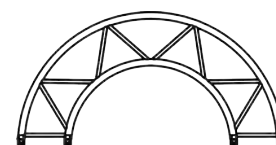
AVAILABLE IN



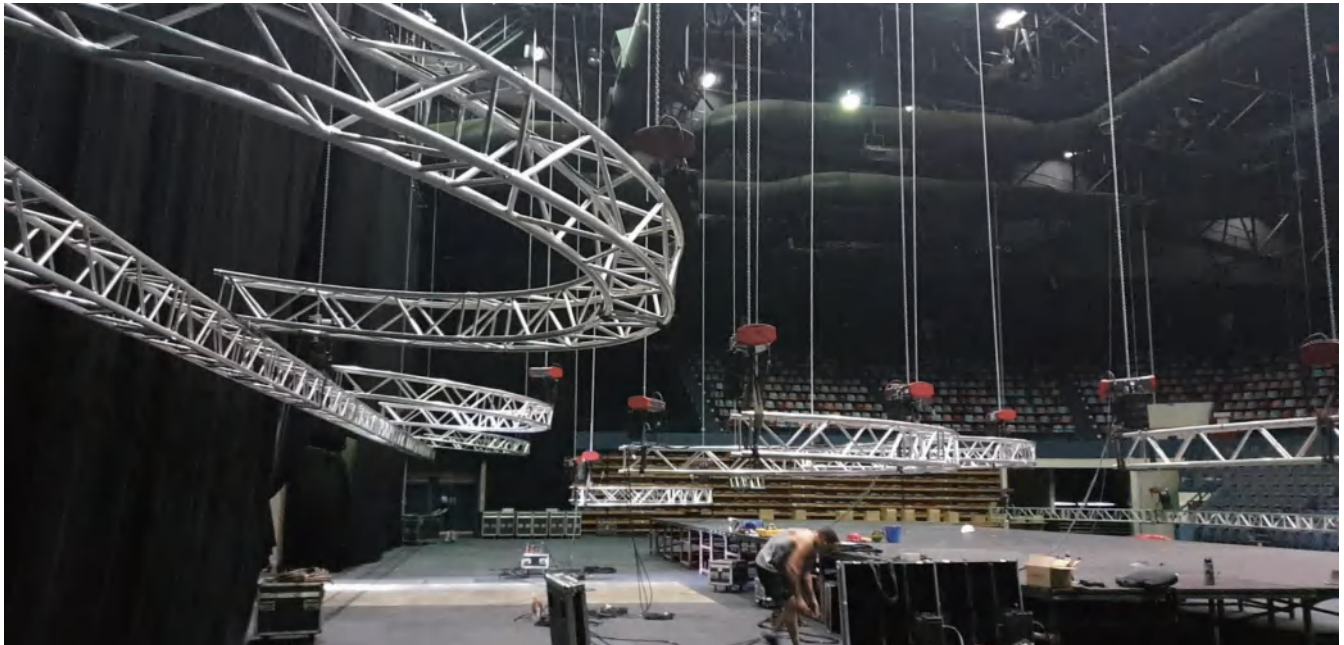
LADDER



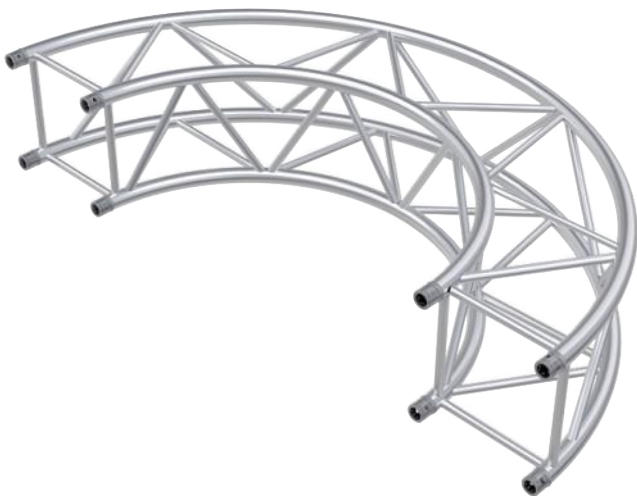
TRIANGLE



CIRCULAR



GE44C CIRCLE(AVAILABLE IN BLACK)



CODE	DIAMETER	PART/DEG	WEIGHT
GE44CR10-180	2.0M	180°	19.00KG
GE44CR15-90	3.0M	90°	15.90KG
GE44CR20-90	4.0M	90°	20.50KG
GE44CR25-45	5.0M	45°	14.70KG
GE44CR30-45	6.0M	45°	16.70KG
GE44CR35-45	7.0M	45°	19.50KG
GE44CR40-45	8.0M	45°	21.30KG
GE44CR45-45	9.0M	45°	21.30KG
GE44CR50-30	10.0M	30°	16.70KG

90° 2 WAYS CORNER

CODE GE44CC21



| 40 / 50 - 50

6.92KG

120° 2 WAYS CORNER

CODE GE44CC22



| 40 / 50 - 50

6.80KG

135° 2 WAYS CORNER

CODE GE44CC23



| 40 / 50 - 50

9.01KG

90° 3 WAYS CORNER

CODE GE44CC30



| 50 / 50 - 50

9.40KG

3 WAYS T CORNER

CODE GE44CT35



| 40 / 50 - 50

8.61KG

90° 4 WAYS CORNER

CODE GE44CT40



| 50 / 50 - 50

10.30KG

4 WAYS CROSS CORNER

CODE GE44CC41



| 40 / 50 - 50

10.86KG

5 WAYS CORNER

CODE GE44CC55



| 50 / 50 - 50

11.78KG

BOX CORNER

CODE GE44CBOX



| 40 / 40 - 40

8.37KG

BASE PLATE

CODE GE44CBASE



| 5 / 40 - 40

1.80KG

BOX HALF CONNECTOR

CODE GE44CBOX-C



BASE CONNECTOR

CODE GE44CBASE-C



BOX SPACER

CODE GE44CBOXS100F



BASE HALF CONNECTOR

CODE 5003(ALUMINUM)
CODE 5010(STEEL)



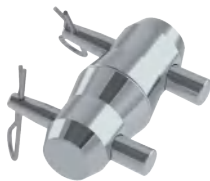
BOX HALF CONNECTOR

CODE GE44CBOX-C



CONICAL CONNECTOR

CODE 5002



CONICAL HINGE

CODE 5029SR
CODE 5029SL



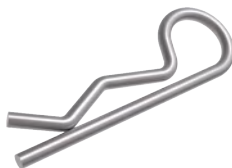
PIN

CODE 5004PIN



R CLIP

CODE 5004CLIP



PIN & BOLT

CODE 5005



SPACER MALE

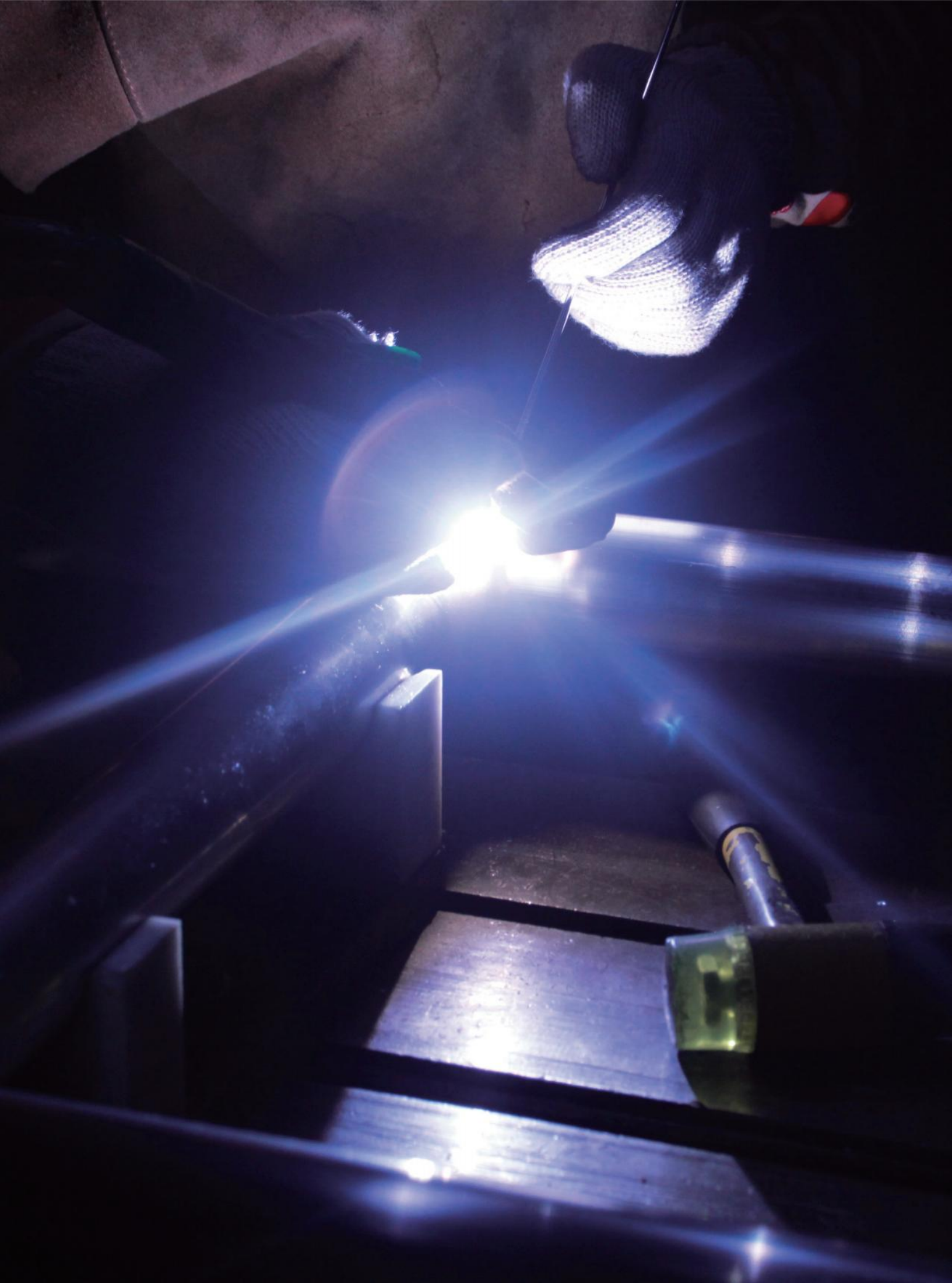
CODE 5019M105
CODE 5020M170
CODE 5021M210

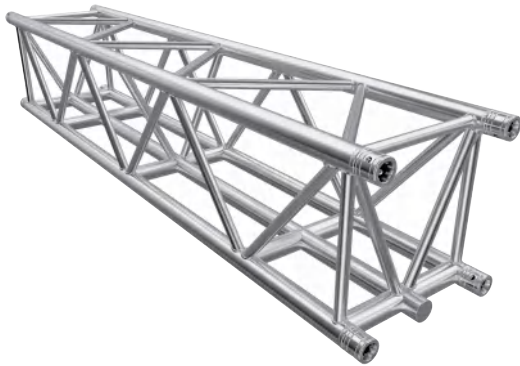


SPACER FEMALE

CODE 5019F105
CODE 5020F170
CODE 5021F210VV



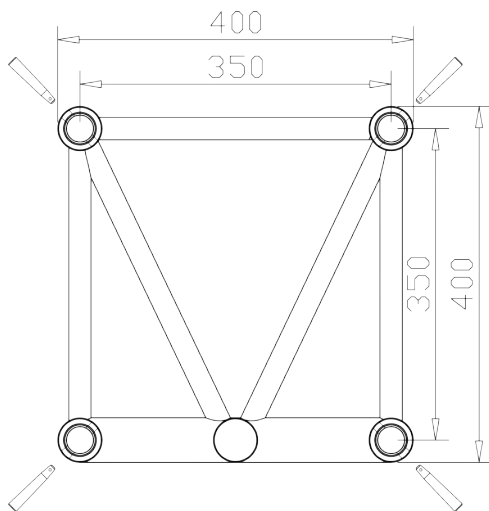




GE45 SQUARE(AVAILABLE IN BLACK)

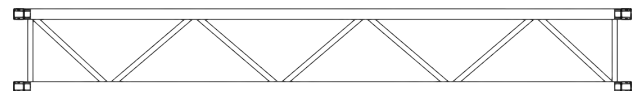
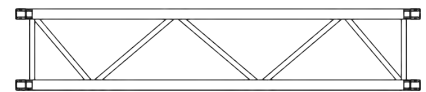
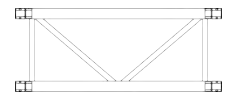
CODE	LENGTH	WEIGHT
GE45050	50CM	9.61KG
GE45100	100CM	15.86KG
GE45150	150CM	22.14KG
GE45200	200CM	28.44KG
GE45200	250CM	33.40KG
GE45300	300CM	39.17KG

SECTION



TECHNICAL DATA

Pipe Diameter	50mm
Wall Thickness	4mm
Brace	25 x 3mm
Material	EN AW 6082 T6
Connectors	Included



LOAD TABLE

Span	UDL	Deflection	CPL	Deflection	Point load in third-point	Deflection	Point load in quarter-point	Deflection	Point load in fifth-point	Deflection
长度	承重量/m	弯曲度	中间点承重量	弯曲度	两点承重量	弯曲度	三点承重量	弯曲度	四点承重量	弯曲度
m	kg m	cm	kg	cm	kg	cm	kg	cm	kg	cm
4,00	953	0.65	2209	0.6	1358	0.63	1042	0.67	859	0.7
5,00	760	1.26	1879	1	1193	1.08	931	1.18	778	1.25
6,00	631	2.18	1629	1.52	1057	1.67	837	1.84	684	1.91
7,00	473	3.05	1434	2.14	945	2.39	757	2.66	601	2.69
8,00	365	4.05	1276	2.88	853	3.26	689	3.65	534	3.6
9,00	289	5.19	1146	3.73	774	4.26	614	4.68	480	4.66
10,00	234	6.47	1037	4.71	707	5.41	553	5.85	434	5.85
11,00	192	7.89	944	5.8	649	6.7	501	7.16	395	7.19
12,00	160	9.44	864	7.02	598	8.13	456	8.6	361	8.67
13,00	135	11.14	793	8.36	552	9.72	418	10.18	332	10.29
14,00	115	12.97	731	9.84	512	11.45	384	11.9	306	12.07
15,00	99	14.95	675	11.45	476	13.35	354	13.76	283	13.98
16,00	79	16	625	13.2	443	15.4	327	15.77	261	16
17,00	63	17	580	15.1	395	17	283	17	223	17
18,00	51	18	539	17.14	337	18	242	18	190	18
19,00	41	19	489	19	287	19	206	19	162	19
20,00	33	20	415	20	243	20	175	20	137	20



GE45 SQUARE

GE45 Truss is based on the FS44P -- 400mm x 400mm truss design and is used for applications such as LED screens where balanced centre rigging of the screen panels on the truss is essential.

A central chord with ladder-style horizontal bracing on the bottom face of the truss allows LED panels to be clamped directly onto the centre chord. The ladder-style horizontal braces creates more and more clear hanging space along the chord compared to the outside chords.

GE45 系列桁架为特殊用途四方架系统，其材料均为通过 EN 认证的 6082 T6 铝合金型材，主管直径为 50mm，管壁厚度 4mm，副管直径 25mm，管壁厚度 3mm。此桁架为插销连接方式，属于中型桁架的一种，为了解决在中大型方案中的 LED 显示屏和灯具的挂载需求，此桁架采用中部加强型背管以及十字交叉的设计。由于其承载力强，适用于大型文艺演出，剧院以及屋顶类结构。桁架的设计由德国工程师研发，生产遵循德国工业标准，并荣获德国“RWTUV”认证。桁架表面可做烤漆处理。





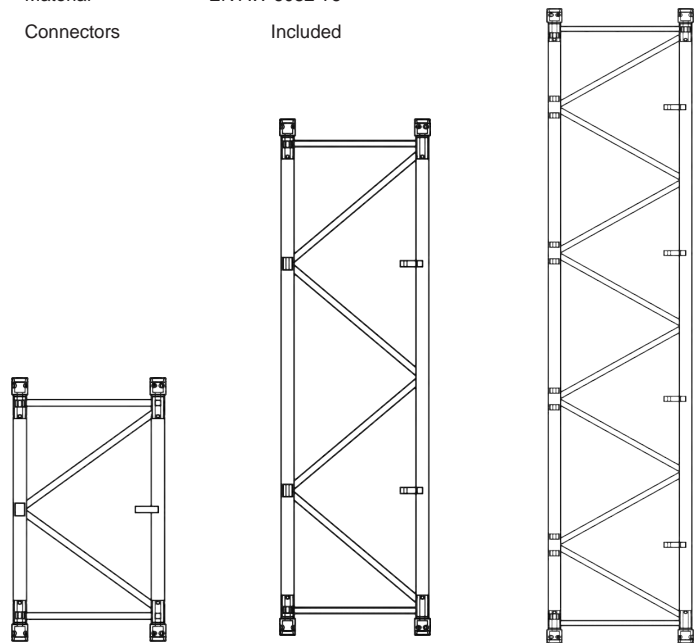
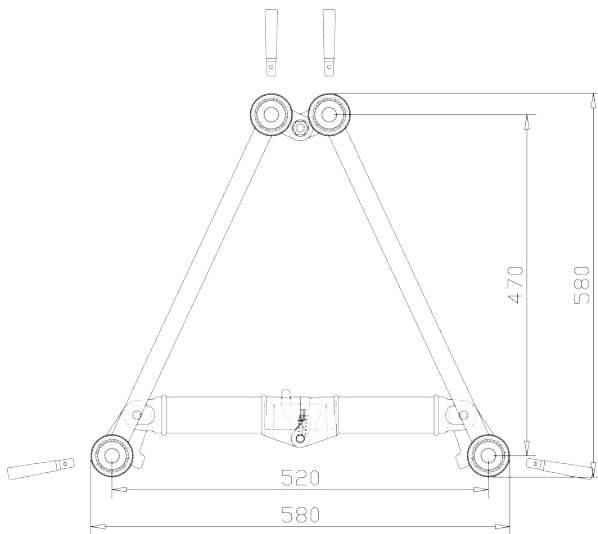
GE52 FOLDING(AVAILABLE IN BLACK)

CODE	LENGTH	WEIGHT
GE52060	60CM	10.70KG
GE52080	80CM	14.30KG
GE52160	160CM	23.00KG
GE52240	240CM	27.50KG
GE52320	320CM	44.00KG

TECHNICAL DATA

Pipe Diameter	50mm
Wall Thickness	4.0mm
Brace	25 x 3mm
Material	EN AW 6082 T6
Connectors	Included

SECTION



LOAD TABLE

Span	UDL	Deflection	CPL	Deflection	Point load in third-point	Deflection	Point load in quarter-point	Deflection	Point load in fifth-point	Deflection
长度	承重量/m	弯曲度	中间点承重量	弯曲度	两点承重量	弯曲度	三点承重量	弯曲度	四点承重量	弯曲度
m	kg m	cm	kg	cm	kg	cm	kg	cm	kg	cm
10	294	4	772(1471)	1.1(3.2)	691(1103)	3.0(4.8)	571(736)	2.8(2.9)	516(611)	
12	201	6	721(1208)	3.1(5.6)	637(906)	4.7(6.6)	517(605)	4.2(5.1)	463(501)	4.7(5.1)
14	145	8.2	667(1017)	4.8(7.0)	591(762)	7.0(8.6)	472(508)	6.2(7.4)	420(441)	6.6(8.0)
16	109	10.5	637(871)	6.8(9.6)	552(653)	9.6(11.1)	435	8.2	361	8.5
18	84	13	602(755)	8.5(10.4)	517(566)	13.1(15.4)	378	10.3	313	10.3
20	66	15.5	571(661)	11.5(13.4)	486	17.5	330	12.5	274	12.9
22	53	18.2	543(581)	14.4(15.8)	436	23.5	291	15.1	241	15
24	43	21	514	17.5	385	26.6	257	17	213	17.1



GE52 FOLDING

GE52 is a 4-point truss system. This provides optimum volume and load capacity for its construction size and a tube diameter of 50mm. This system is connected via a special conical connector system, which is joined together to a complete form fit by means of a copper hammer, creating optimal traction.

GE52 finds application in big concerts, trade fairs, and as well as in the event industry in general. The truss is folding. Not only can it save transportation space, but also it offers a high loading capacity.

The conical connectors are of course included in the scope of delivery - powder coatings can be carried out at short notice.

GE52 系列桁架为四方架系统，其材料均为通过 EN 认证的 6082 T6 铝合金型材，主管直径为 50mm，管壁厚度 4mm，副管直径 25mm，管壁厚度 3mm。此桁架为插销连接方式，属于折叠桁架的一种，折叠后可节省运输及储存空间，适用于大型的音乐会，展览会等场所。桁架的设计由德国工程师研发，生产遵循德国工业标准，并荣获德国“RWTUV”认证，是一款极具性价比的优势产品。桁架可依照需求进行特殊造型定制，以及表面可做烤漆处理。

90° 2 WAYS CORNER

CODE GE52C21H



| 22 / 100 - 100

4.5KG

90° 2 WAYS CORNER

CODE GE52C24V



| 22 / 100 - 100

4.1KG

3 WAYS T CORNER

CODE GE52T35



| 22 / 50 - 50

2.8KG

4 WAYS CROSS CORNER

CODE GE52C41

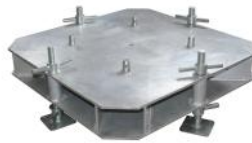


| 22 / 50 - 50

3.1KG

BASE

CODE GE52BASE



| 22 / 50 - 50

3.45KG

SLEEVE BLOCK

CODE GE52SLEEVE



| 50 / 50 - 50

3.75KG

CONICAL CONNECTOR

CODE GE52-C



| 22 / 50 - 50

4.0KG

HALF CONICAL CONNECTOR

CODE GE52-HC



| 50 / 50 - 22

3.9KG

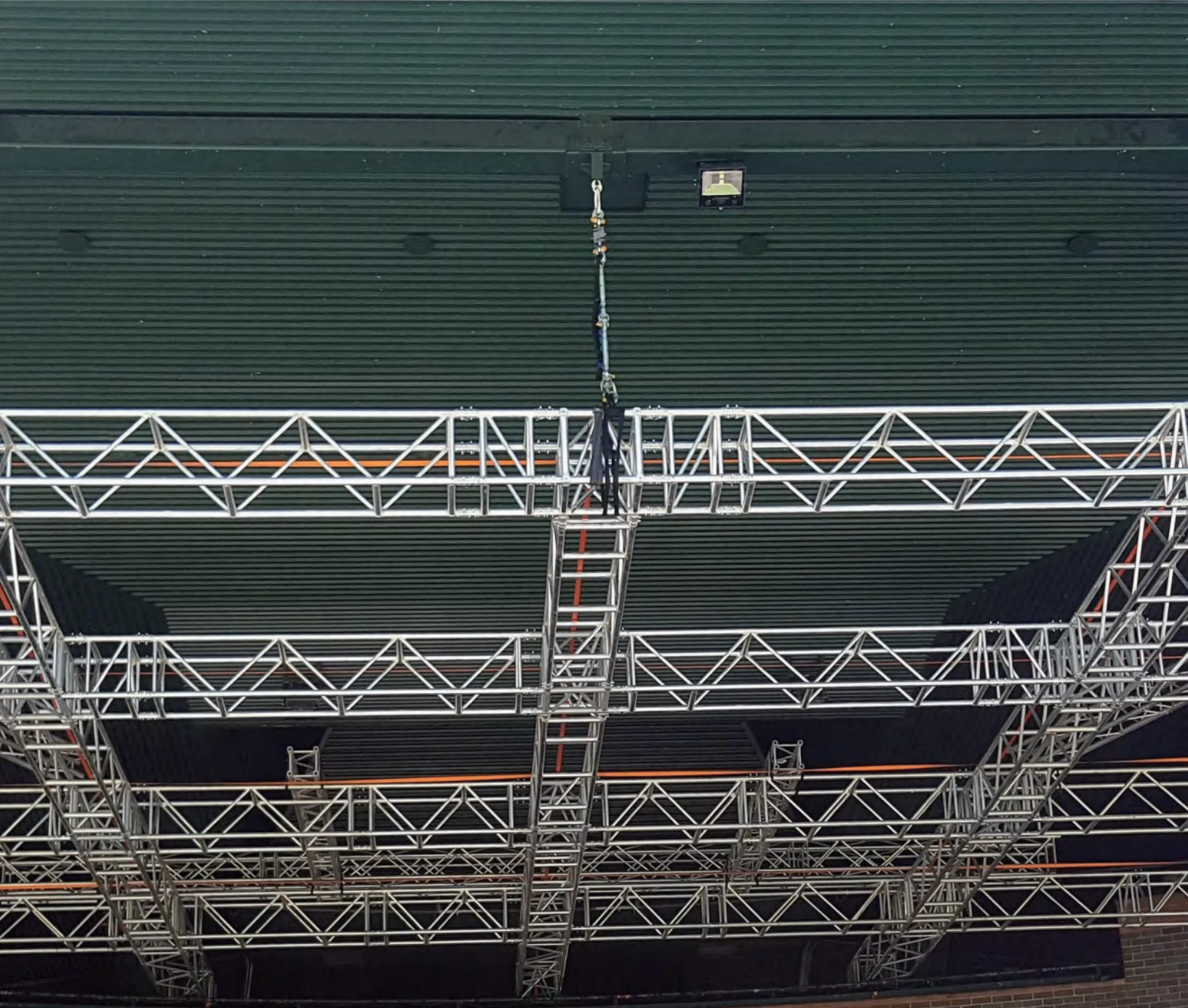
PIN & CLIP

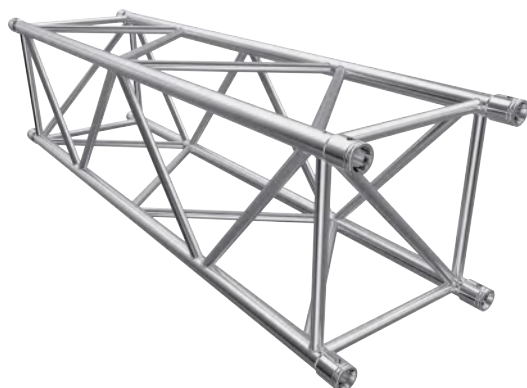
CODE 5018



| 50 / 50 - 50

3.1KG

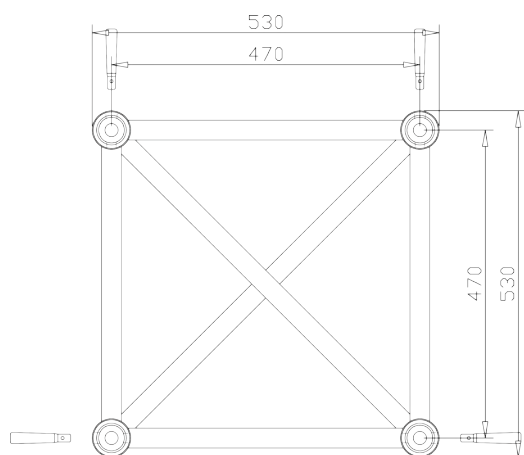




GE54 SQUARE(AVAILABLE IN BLACK)

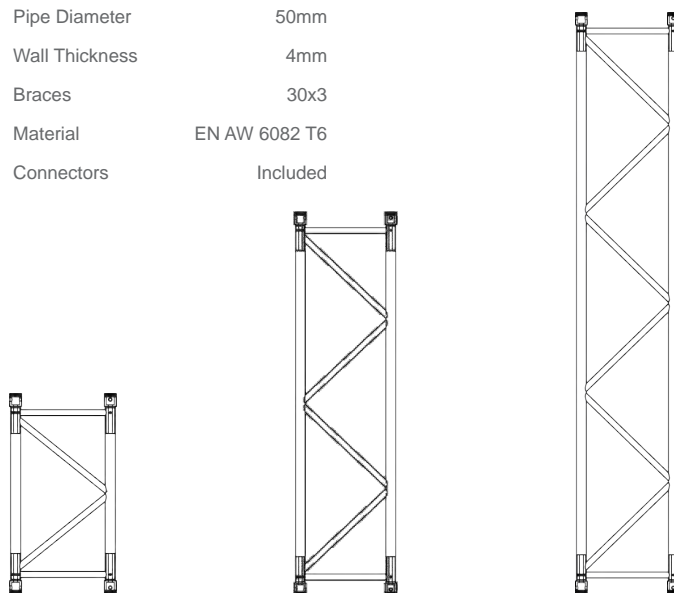
CODE	LENGTH	WEIGHT
GE54050	50CM	15.3KG
GE54100	100CM	20.7KG
GE54150	150CM	26.2KG
GE54200	200CM	31.6KG
GE54250	250CM	37.6KG
GE54300	300CM	46.0KG
GE54350	350CM	53.8KG

SECTION



TECHNICAL DATA

Pipe Diameter	50mm
Wall Thickness	4mm
Braces	30x3
Material	EN AW 6082 T6
Connectors	Included



LOAD TABLE

Span	UDL	Deflection	CPL	Deflection	Point load in third-point	Deflection	Point load in quarter-point	Deflection	Point load in fifth-point	Deflection
长度	承重量/m	弯曲度	中间点承重量	弯曲度	两点承重量	弯曲度	三点承重量	弯曲度	四点承重量	弯曲度
4	861	0.32	1403	0.21	1050	0.27	829	0.3	682	0.31
5	695	0.61	1306	0.39	978	0.49	778	0.55	645	0.58
6	603	1.16	1217	0.64	912	0.8	730	0.89	611	0.95
7	501	1.79	1137	0.95	851	1.2	686	1.34	578	1.44
8	413	2.53	1063	1.35	796	1.69	646	1.9	548	2.05
9	342	3.38	997	1.82	746	2.28	609	2.58	520	2.79
10	285	4.33	936	2.38	700	2.97	575	3.37	484	3.6
11	235	5.28	880	3.02	659	3.77	544	4.29	449	4.49
12	195	6.29	828	3.76	620	4.67	515	5.33	418	5.49
13	164	7.39	781	4.58	585	5.67	480	6.4	389	6.59
14	140	8.58	737	5.5	552	6.79	448	7.58	364	7.81
15	120	9.87	696	6.52	522	8.03	419	8.86	341	9.13
16	104	11.24	658	7.64	494	9.37	393	10.24	320	10.57
17	90	12.71	622	8.87	467	10.84	368	11.74	300	12.11
18	79	14.28	589	10.21	442	12.43	346	13.35	282	13.78
19	70	15.93	558	11.66	419	14.14	325	15.07	266	15.55
20	62	17.69	528	13.22	397	15.98	306	16.9	250	17.45



GE54 SQUARE

GE54 is a 4-point truss system. This provides optimum volume and load capacity for its construction size and a tube diameter of 50mm. This system is connected via a special conical connector system, which is joined together to a complete form fit by means of a copper hammer, creating optimal traction.

GE54 finds application in big artistic performance, trade fair construction, theatre construction and stage design. It is also characterized by high load capacity, which can be used for hanging LED screens.

The conical connectors are of course included in the scope of delivery - powder coatings can be carried out at short notice.

GE54 系列桁架为四方架系统，其材料均为通过 EN 认证的 6082 T6 铝合金型材，主管直径为 50mm，管壁厚度 4mm，副管直径 30mm，管壁厚度 3mm。此桁架为插销连接方式，属于重型展示架，承载能力强，适用于大型的文艺演出，剧院，展览会等场所。桁架的设计由德国工程师研发，生产遵循德国工业标准，并荣获德国“RWTUV”认证，是一款极具性价比的优势产品。桁架可依照需求进行特殊造型定制，以及表面可做烤漆处理。



Creamfields

RAVING

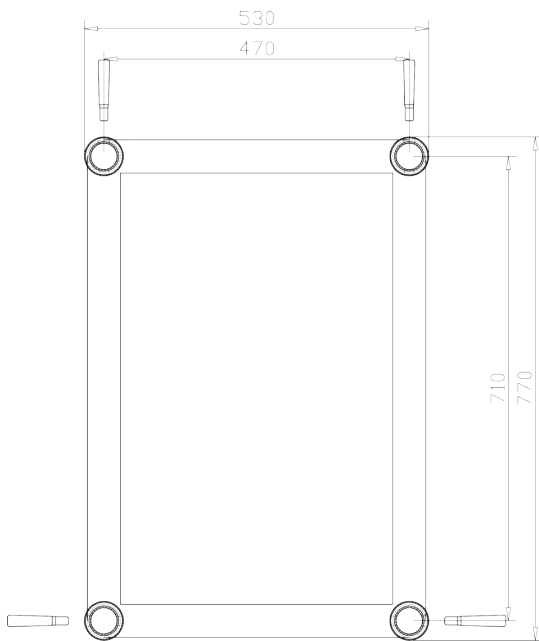
MARTIN GARRIX
THE TROOP



GE7652 RECTANGULAR (AVAILABLE IN BLACK)

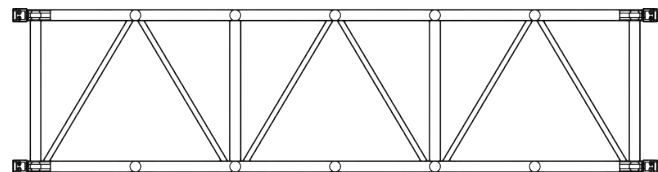
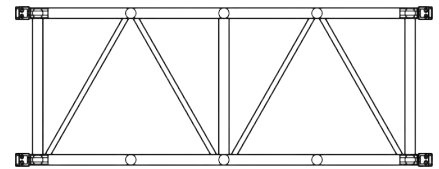
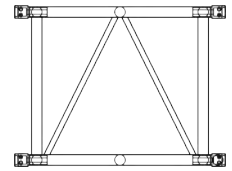
CODE	LENGTH	WEIGHT
GE7652050	50CM	13.60KG
GE7652100	100CM	20.30KG
GE7652150	150CM	27.00KG
GE7652200	200CM	33.70KG
GE7652250	250CM	40.40KG
GE7652300	300CM	47.10KG

SECTION



TECHNICAL DATA

Pipe Diameter	50mm
Wall Thickness	4.0mm
Brace	25 x 3mm
Material	EN AW 6082 T6
Connectors	Included



LOAD TABLE

Span	UDL	Deflection	CPL	Deflection	Point load in third-point	Deflection	Point load in quarter-point	Deflection	Point load in fifth-point	Deflection
长度	承重量/m	弯曲度	中间点承重量	弯曲度	两点承重量	弯曲度	三点承重量	弯曲度	四点承重量	弯曲度
m	kg m	cm	kg	cm	kg	cm	kg	cm	kg	cm
10.0	341.0	2.8	586.9	0.1	541.5	1.2	469.0	1.2	433.3	1.4
12.0	258.1	4.5	558.8	1.3	510.0	2.1	434.1	2.0	397.7	2.3
14.0	200.5	6.7	533.3	2.0	481.9	3.1	404.1	2.9	367.6	3.3
16.0	159.4	9.0	510.0	2.8	456.8	43.0	377.9	4.1	341.7	4.7
18.0	126.9	11.7	488.6	3.9	434.1	5.9	354.9	5.5	319.2	6.2
20.0	100.0	13.3	496.0	5.4	413.6	7.8	334.9	7.1	299.4	8.0
22.0	80.0	15.6	450.9	6.5	394.9	9.8	316.5	9.0	282.0	10.1
24.0	64.8	19.3	434.1	8.3	377.9	12.2	300.2	11.1	266.5	12.4
26.0	53.0	22.8	418.6	10.3	362.2	14.9	285.5	13.5	252.6	15.0
28.0	43.6	25.5	404.0	12.3	347.9	17.9	272.2	16.0	240.0	17.9
30.0	36.1	27.0	398.2	14.7	334.6	21.1	260.0	18.9	228.7	20.6

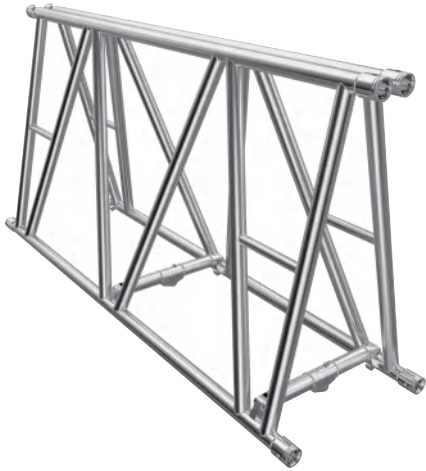


GE7652 RECTANGULAR

GE7652 is a 4-point truss system. This provides optimum volume and load capacity for its construction size and a tube diameter of 50mm. This system is connected via a special conical connector system, which is joined together to complete form fit by means of a copper hammer, creating optimal traction.

GE7652 finds application in big artistic performance, trade fairs, and as well as in the event industry in general. It offer a very high load capacity, adapted for hanging led screen even being a main beam of a roof. The conical connectors are of course included in the scope of delivery - powder coatings can be carried out at short notice.

GE7652 系列桁架为四方架系统，其材料均为通过 EN 认证的 6082 T6 铝合金型材，主管直径为 50mm，管壁厚度 4mm，副管直径 25mm，管壁厚度 3mm。此桁架为插销连接方式，属于重型展示架，承载能力强，适用于文艺演出，剧院，展览会等场所，同时在屋顶系统中可作为载重主梁。桁架的设计由德国工程师研发，生产遵循德国工业标准，并荣获德国“RWTUV”认证，是一款极具性价比的优势产品。桁架可依照需求进行特殊造型定制，以及表面可做烤漆处理。



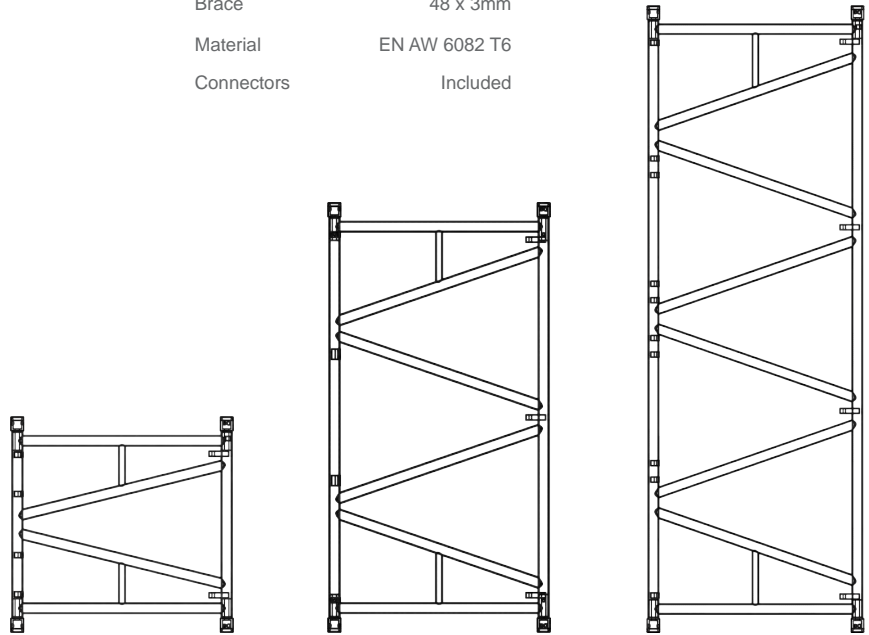
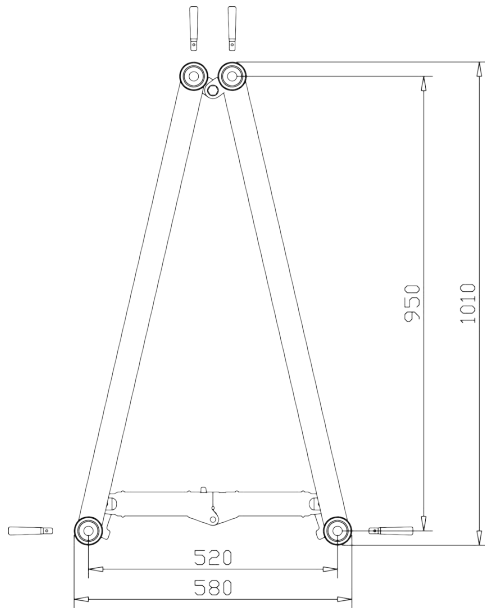
GE102 FOLDING(AVAILABLE IN BLACK)

CODE	LENGTH	WEIGHT
GE102050	50CM	15.50KG
GE102100	100CM	29.20KG
GE102150	150CM	36.35KG
GE102200	200CM	43.50KG
GE102300	300CM	56.20KG

TECHNICAL DATA

Pipe Diameter	50mm
Wall Thickness	4.0mm
Brace	48 x 3mm
Material	EN AW 6082 T6
Connectors	Included

SECTION



LOAD TABLE

Span	UDL	Deflection	CPL	Deflection	Point load in third-point	Deflection	Point load in quarter-point	Deflection	Point load in fifth-point	Deflection
长度	承重/m	弯曲度	中间点承重	弯曲度	两点承重	弯曲度	三点承重	弯曲度	四点承重	弯曲度
m	kg m	cm	kg	cm	kg	cm	kg	cm	kg	cm
10	297	1.14	1785	1.1	1048	1.1	765	1.12	608	1.13
11	270	1.53	1689	1.4	1002	1.41	737	1.45	589	1.47
12	256	2.06	1599	1.74	958	1.78	710	1.83	570	1.87
13	238	2.65	1516	2.13	916	2.19	683	2.27	552	2.32
14	219	3.31	1439	2.56	876	2.65	658	2.76	534	2.84
15	200	4.02	1367	3.04	838	3.16	633	3.31	517	3.42
16	182	4.79	1300	3.57	802	3.73	610	3.92	500	4.06
17	166	5.61	1236	4.15	768	4.35	587	4.59	483	4.78
18	148	6.40	1177	4.77	735	5.02	565	5.32	467	5.56
19	131	7.14	1121	5.45	704	5.75	544	6.12	452	6.41

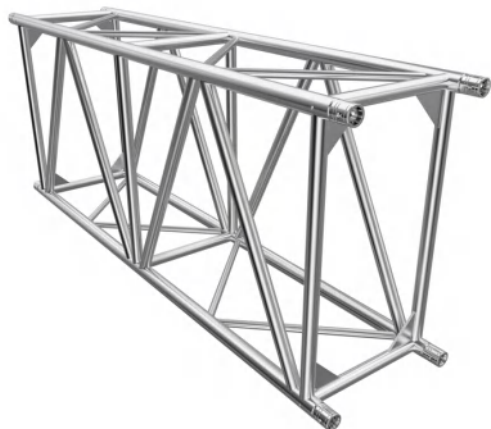


GE102 FOLDING

GE102 is a 4-point truss system. This provides optimum volume and load capacity for its construction size and a tube diameter of 50mm. This system is connected via a special conical connector system, which is joined together to a complete form fit by means of a copper hammer, creating optimal traction.

GE102 finds application in big artistic performance, trade fair construction, theatre construction and stage design. The truss is folding, which can save transportation space and offer a high load capacity. The conical connectors are of course included in the scope of delivery - powder coatings can be carried out at short notice.

GE102 系列桁架为四方架系统，其材料均为通过 EN 认证的 6082 T6 铝合金型材，主管直径为 50mm，管壁厚度 4mm，副管直径 48mm，管壁厚度 3mm。此桁架为插销连接方式，属于折叠桁架的一种，承载能力强，折叠后可以节省运输及储存空间，适用于大型的文艺演出，展览会等场所。桁架的设计由德国工程师研发，生产遵循德国工业标准，并荣获德国“RWTUV”认证，是一款极具性价比的优势产品。桁架可依照需求进行特殊造型定制，以及表面可做烤漆处理。



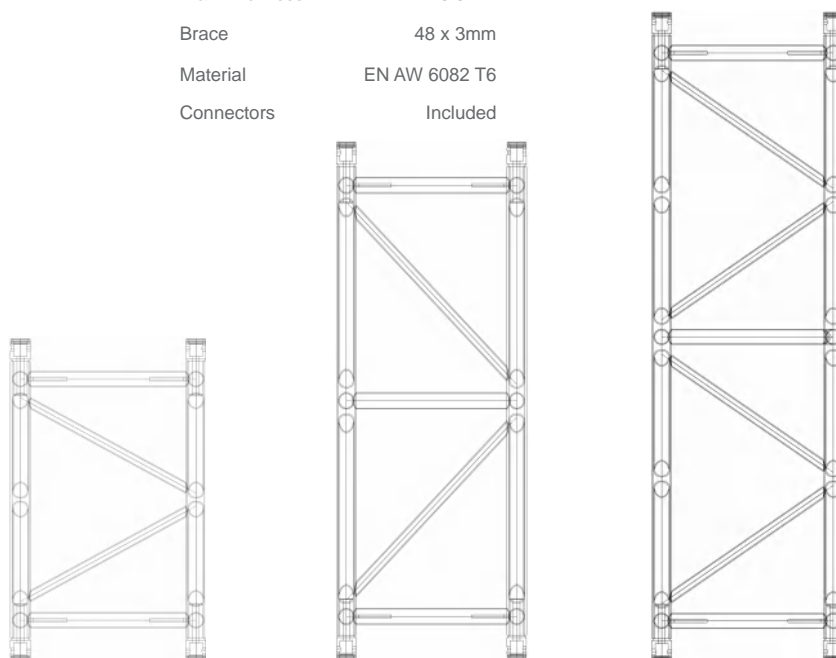
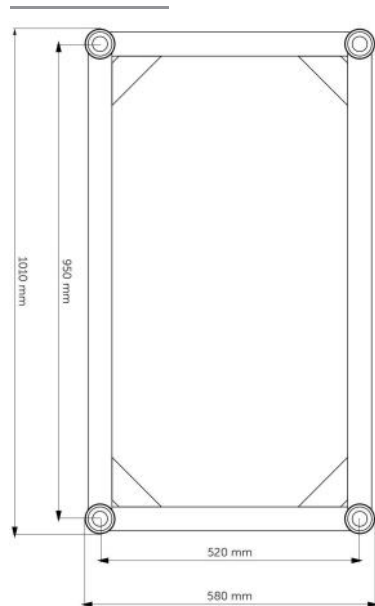
GE104 FOLDING(AVAILABLE IN BLACK)

CODE	LENGTH	WEIGHT
GE104050	50CM	19.30KG
GE104100	100CM	29.70KG
GE104150	150CM	40.15KG
GE104200	200CM	50.52KG
GE104300	300CM	71.30KG

TECHNICAL DATA

Pipe Diameter	50mm
Wall Thickness	6.0mm
Brace	48 x 3mm
Material	EN AW 6082 T6
Connectors	Included

SECTION



LOAD TABLE

Span	UDL	Deflection	CPL	Deflection	Point load in third-point	Deflection	Point load in quarter-point	Deflection	Point load in fifth-point	Deflection
长度	承重量/m	弯曲度	中间点承重量	弯曲度	两点承重量	弯曲度	三点承重量	弯曲度	四点承重量	弯曲度
m	kg m	cm	kg	cm	kg	cm	kg	cm	kg	cm
10	715	150	3541	120	2155	124	1295	105	1295	132
12	584	255	3152	187	1959	197	1210	171	1209	215
14	469	383	2827	270	1787	290	1131	258	1130	323
16	375	530	2553	371	1637	403	1059	366	1058	457
18	292	672	2318	490	1504	536	992	497	992	619
20	232	831	2114	628	1385	692	931	653	912	795
22	188	1007	1935	785	1279	869	874	833	832	985
24	154	1202	1776	962	1183	1069	821	1039	761	1198
26	128	1414	1633	1160	1096	1293	772	1273	694	1423
28	107	1644	1502	1377	1016	1540	726	1534	626	1655
30	91	1892	1358	1596	943	1812	679	1818	566	1904
32	77	2159	1230	1834	875	2110	615	2078	512	2173
34	66	2446	1114	2092	812	2434	557	2357	464	2460
36	56	2751	1008	2371	753	2784	504	2656	420	2766



GE104 SQUARE

GE104 is a 4-point truss system. This provides optimum volume and load capacity for its construction size and a tube diameter of 50mm. This system is connected via a special conical connector system, which is joined together to a complete form fit by means of a copper hammer, creating optimal traction.

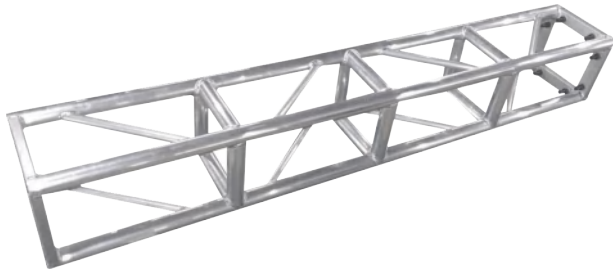
GE104 finds application in big artistic performance, trade fair construction, theatre construction and stage design. The truss is folding, which can save transportation space and offer a high load capacity. The conical connectors are of course included in the scope of delivery - powder coatings can be carried out at short notice.

GE104 系列桁架为四方架系统，其材料均为通过 EN 认证的 6082 T6 铝合金型材，主管直径为 50mm，管壁厚度 6mm，副管直径 48mm，管壁厚度 3mm。此桁架为插销连接方式，属于折叠桁架的一种，承载能力强，折叠后可以节省运输及储存空间，适用于大型的文艺演出，展览会等场所。桁架的设计由德国工程师研发，生产遵循德国工业标准，并荣获德国“RWTUV”认证，是一款极具性价比的优势产品。桁架可依照需求进行特殊造型定制，以及表面可做烤漆处理。





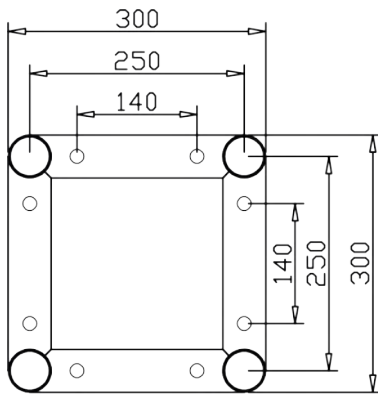
GE300A



GE300A SQUARE(AVAILABLE IN BLACK)

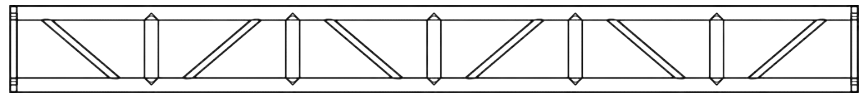
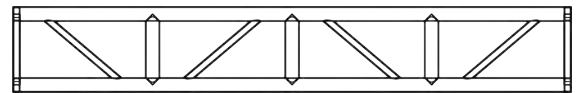
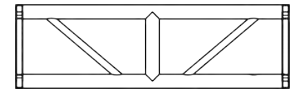
CODE	LENGTH	WEIGHT
GE300A050	50CM	6.10KG
GE300A100	100CM	9.23KG
GE300A150	150CM	12.36KG
GE300A200	200CM	15.49KG
GE300A250	250CM	18.62KG
GE300A300	300CM	21.74KG

SECTION



TECHNICAL DATA

Pipe Diameter	50mm
Wall Thickness	3.0mm
Brace	20 x2mm
Material	EN AW 6082 T6
Connectors	Included



LOAD TABLE

Span	UDL	Deflection	CPL	Deflection	Point load in third-point	Deflection	Point load in quarter-point	Deflection	Point load in fifth-point	Deflection
长度	承重量/m	弯曲度	中间点承重量	弯曲度	两点承重量	弯曲度	三点承重量	弯曲度	四点承重量	弯曲度
m	kg m	cm	kg	cm	kg	cm	kg	cm	kg	cm
2	1534.5	0.12	1534.5	0.12	1150.8	0.12	809.8	0.12	396.6	1.29
4	378.63	0.47	757.3	0.38	567.9	0.48	399.67	0.45	332.2	2.09
6	164.61	1.06	493.9	0.85	370.4	1.08	260.68	1.01	275.3	3.09
8	89.73	1.89	358.8	1.53	269.1	1.92	189.43	1.81	234.4	4.29
10	55.08	2.96	275.22	2.44	206.3	3.01	145.26	2.84	203.6	5.68
12	36.18	4.28	217.26	3.57	162.9	4.36	114.67	4.11	179.4	7.28
13	29.88	4.22	194.1	4.23	145.6	5.13	102.51	4.84	159.9	9.07
14	24.84	5.87	173.8	4.97	130.4	5.96	91.77	5.64	143.7	11.08
15	20.79	6.75	155.9	5.75	116.9	6.87	82.27	6.51	130.2	13.29
16	17.46	7.72	139.7	6.63	104.8	7.83	73.82	7.44	118.6	15.7

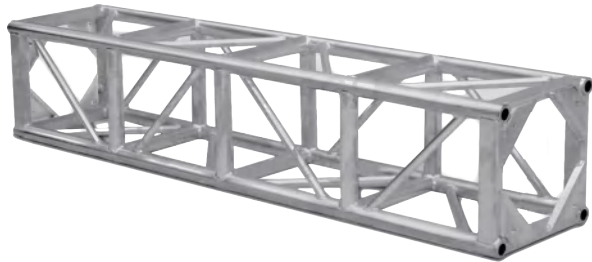


GE300A SQUARE

GE300A Bolt truss is adapted for conference, exhibition, and small venue work.

The truss consists of 50x3mm tubes for the main chords and 20x2mm tubes for diagonals. The trussing segments are connected by bolting together.

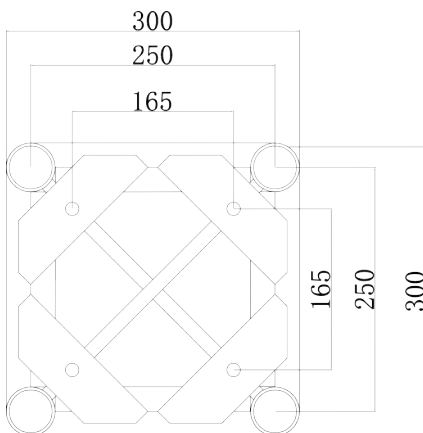
GE300A 系列桁架为四方架系统，其材料均为通过 EN 认证的 6082 T6 铝合金型材，主管直径为 50mm，管壁厚度 3mm，副管直径 20mm，管壁厚度 2mm。此桁架为螺丝连接方式，属于多用途展示桁架，承载能力强，适用于文艺活动，展览会等场所。桁架的设计生产遵循德国工业标准，是一款极具性价比的优势产品。桁架可依照需求进行特殊造型定制，以及表面可做烤漆处理。



GE300B SQUARE

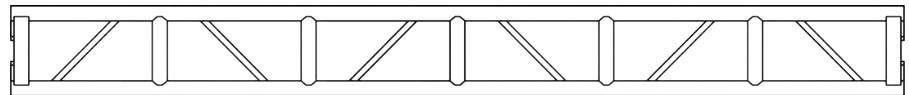
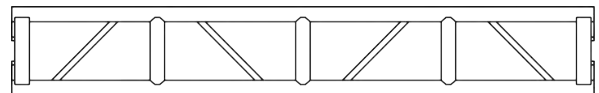
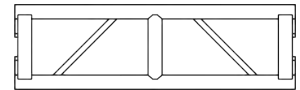
CODE	LENGTH	WEIGHT
GE300B050	50CM	7.74KG
GE300B100	100CM	10.84KG
GE300B150	150CM	14.00KG
GE300B200	200CM	17.12KG
GE300B250	250CM	20.25KG
GE300B300	300CM	23.38KG

SECTION



TECHNICAL DATA

Pipe Diameter	50mm
Wall Thickness	3.0mm
Brace	20 x2mm
Material	EN AW 6082 T6
Connectors	Included



LOAD TABLE

Span	UDL	Deflection	CPL	Deflection	Point load in third-point	Deflection	Point load in quarter-point	Deflection
长度	承重量/m	弯曲度	中间点承重量	弯曲度	两点承重量	弯曲度	三点承重量	弯曲度
m	kg m	cm	kg	cm	kg	cm	kg	cm
2	1790	0.11	1790	0.09	1342	0.115	895.1	0.11
4	441.7	0.47	883.5	0.37	662.6	0.483	441.7	0.45
6	192	1.06	576.2	0.85	432.1	1.081	288.1	1
8	104.6	1.89	418.6	1.53	313.9	1.921	209.3	1.8
10	64.26	2.96	321	2.43	240.7	3.013	160.5	2.83
12	42.21	4.28	253.4	3.57	190	4.357	126.7	4.1
13	34.86	4.22	226.4	4.23	169.8	5.134	113.2	4.84
14	28.98	5.86	202.8	4.96	152.1	5.964	101.4	5.63
15	24.25	6.75	181.9	5.75	136.3	6.867	90.93	6.51
16	20.37	7.71	163	6.62	122.3	7.833	81.58	7.44



GE300B SQUARE

GE300B Bolt truss is adapted for conference, exhibition, and small venue work.

The truss consists of 50x3mm for the main chords and 25x2mm for diagonals. The trussing segments are connected by bolting triangle plates together.

GE300B 系列桁架为四方架系统，其材料均为通过 EN 认证的 6082 T6 铝合金型材，主管直径为 50mm，管壁厚度 3mm，副管直径 20mm，管壁厚度 2mm。此桁架为螺丝连接方式，属于多用途展示桁架，承载能力强，适用于文艺活动，展览会等场所。桁架的设计生产遵循德国工业标准，是一款极具性价比的优势产品。桁架可依照需求进行特殊造型定制，以及表面可做烤漆处理。

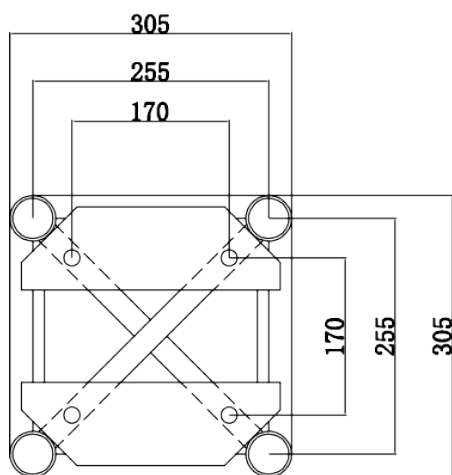




GE305A SQUARE(AVAILABLE IN BLACK)

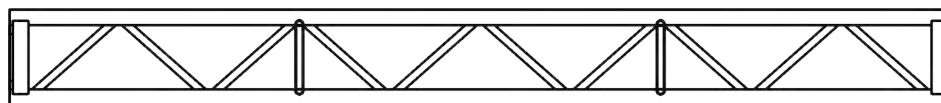
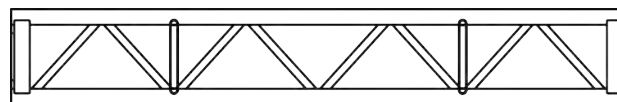
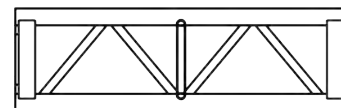
CODE	LENGTH	WEIGHT
GE305A050	50CM	11.70KG
GE305A100	100CM	14.30KG
GE305A150	150CM	16.00KG
GE305A200	200CM	18.00KG
GE305A250	250CM	21.00KG
GE305A300	300CM	25.00KG

SECTION



TECHNICAL DATA

Pipe Diameter	50mm
Wall Thickness	3.0mm
Brace	25 x 3mm
Material	EN AW 6082 T6



LOAD TABLE

Span	UDL	Deflection	CPL	Deflection	Point load in third-point	Deflection	Point load in quarter-point	Deflection
长度	承重量/m	弯曲度	中间点承重量	弯曲度	两点承重量	弯曲度	三点承重量	弯曲度
m	kg m	cm	kg	cm	kg	cm	kg	cm
2	1619.75	0.11	1619.75	0.09	1214.765	0.11	809.875	0.11
4	399.665	0.45	799.425	0.36	599.545	0.46	399.665	0.43
6	173.755	1.01	521.36	0.81	391.02	1.03	260.68	0.96
8	94.715	1.8	378.765	1.46	284.05	1.83	189.43	1.72
10	58.14	2.82	290.51	2.32	217.835	2.87	145.255	2.7
12	38.19	4.12	229.33	3.4	171.95	4.15	114.665	3.91
13	31.54	4.06	204.915	4.03	153.71	4.89	102.505	4.61
14	26.22	5.59	183.54	4.73	137.655	5.68	91.77	5.37
15	21.945	6.43	164.635	5.48	123.405	6.54	82.27	6.2
16	18.43	7.42	147.535	6.31	110.675	7.46	73.815	7.09



GE305A SQUARE

GE305A truss is ideal for conference, exhibition, and small venue work. The truss consists of 50x3mm tube for the main chords and 25x3mm tube for diagonals. The trussing segments are connected by bolting the aluminum plates together.

GE305A 为四方架系统，其材料均为通过 EN 认证的 6082 T6 铝合金型材，主管直径为 50mm，管壁厚度 3mm，副管直径 25mm，管壁厚度 3mm。此桁架通过螺丝进行连接，属于轻型载重桁架，适用于酒店，展会，小型文艺演出等方案中的灯具音响挂载，桁架的设计生产遵循德国工业标准，并荣获德国“RWTUV”认证，是一款极具性价比的优势产品。桁架可依照需求进行特殊造型定制，表面可做烤漆处理。

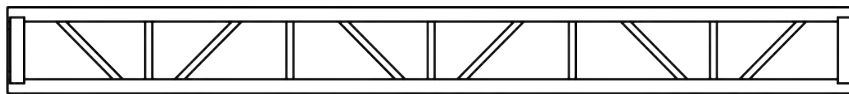
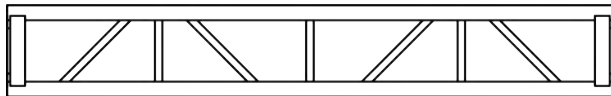
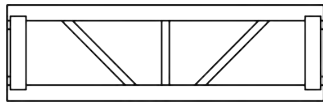
GE305B SQUARE

CODE	LENGTH	WEIGHT
GE305B050	50CM	9.70KG
GE305B100	100CM	14.30KG
GE305B150	150CM	16.00KG
GE305B200	200CM	19.50KG
GE305B250	250CM	23.00KG
GE305B250	300CM	28.00KG

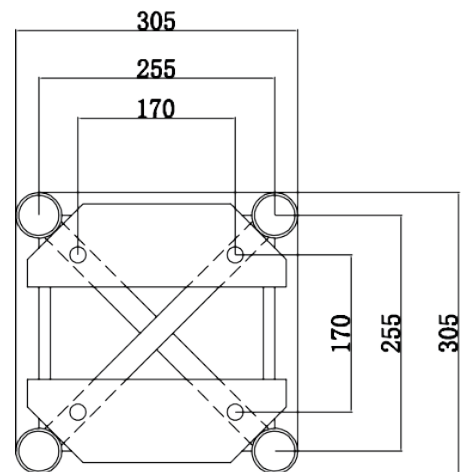


TECHNICAL DATA

Pipe Diameter	50mm
Wall Thickness	3.0mm
Brace	25 x 3mm
Material	EN AW 6082 T6



SECTION



LOAD TABLE

Span	UDL	Deflection	CPL	Deflection	TPL	Deflection	QPL	Deflection
长度	承重量/M	弯曲度	中心承重量	弯曲度	三点承重量	弯曲度	四点承重量	弯曲度
m	kg/m	cm	kgs	cm	kgs	cm	kg	cm
3.05	2023	0.4	1012	0.3	759	0.4	506	0.4
6.09	962	1.4	482	1.2	362	1.5	241	1.4
9.14	585	3.1	295	2.6	221	3.2	147	2.9
12.21	381	5.5	193	4.7	145	5.7	97	5.4



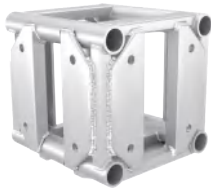
GE305B SQUARE

GE305B truss is ideal for conference, exhibition, and small venue work. The truss is consist of 50x3mm tube for the main chords and 25x3mm tube for diagonals. The trussing segments are connected by bolting the aluminum plates together.

GE305B 为四方架系统，其材料均为通过 EN 认证的 6082 T6 铝合金型材，主管直径为 50mm，管壁厚度 3mm，副管直径 25mm，管壁厚度 3mm。此桁架通过螺丝进行连接，属于轻型载重桁架，适用于酒店，展会，小型文艺演出等方案中的灯具音响挂载，桁架的设计生产遵循德国工业标准，并荣获德国“RWTUV”认证，是一款极具性价比的优势产品。桁架可依照需求进行特殊造型定制，表面可做烤漆处理。

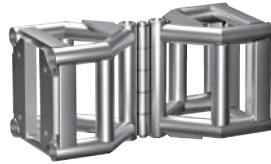
BOX CORNER

CODE GE305BOX



VARIABLE CORNER

CODE GE305VC



FIXED CORNER

CODE GE305FC



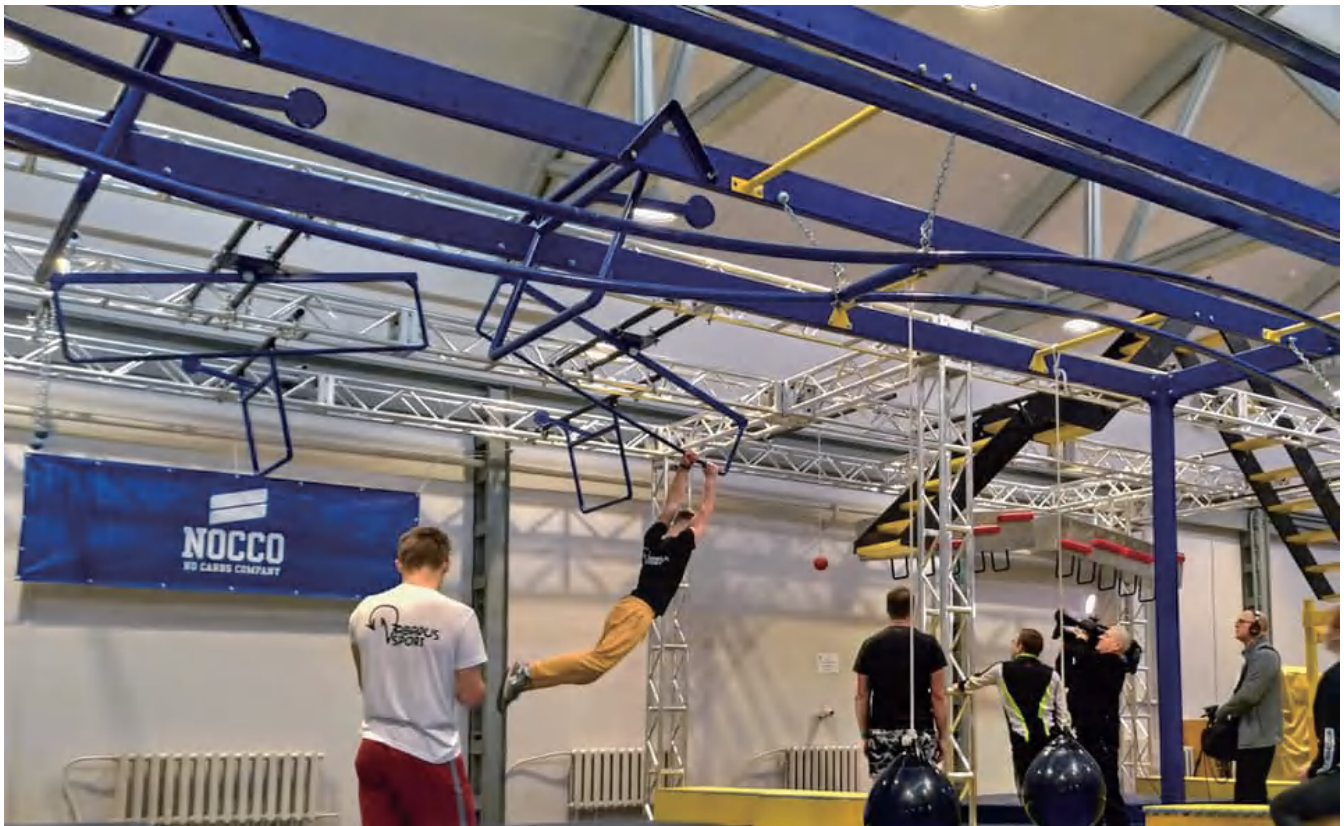
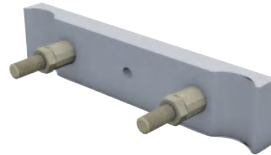
LIFTING POINT

CODE GE305LP

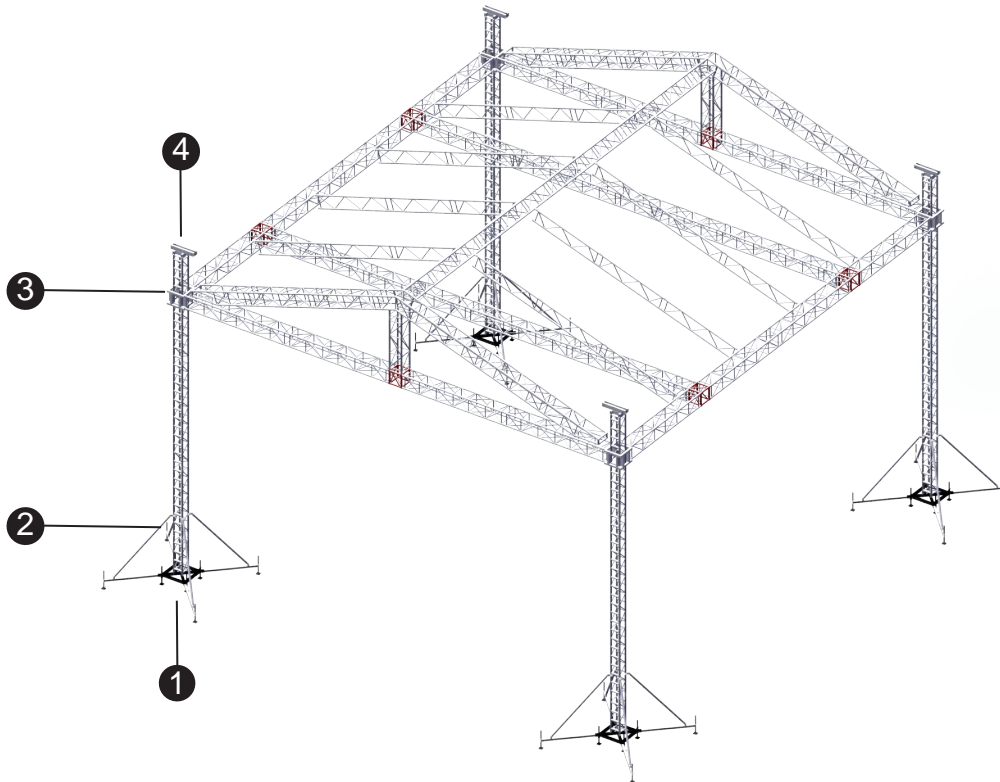


CONNECTING PLATE

CODE GE305CP







The black coated steel base (Q235) is equipped with 4 wheels and 4 half conical couplers for the attachment of the mast section, it could also be used with the outrigger as you need.

黑色烤漆底座，为桁架系统提供底部支撑点，配有四个万向轮和四个连接桁架的接头，可搭配斜撑使用。



The outrigger owns a 1.5 meters black trigger and 2.4m tube with connector; and can be connected in a 45° angle or with the adapter in a 90° angle with the base.

斜撑，两端配有可活动接头，同时连接立柱和底座，起固定作用。



The Sleeve Block is intended for tower of truss, the leavings up are one type of truss as standard, but can also be screwed on one-level bigger truss.

方套，为桁架系统横梁和立柱提供连接点，配有滑轮以及横梁接头，表面可做烤漆或阳极处理。



The top section provide a hanging point for manual hoist, with a Chrome Bar or Double Pulleys for electric hoist.

横担，用于立柱顶部，为葫芦提供吊点，表面可做烤漆或阳极处理。



GE34 TOWER

GE34 Tower components are available for:

- GE34 truss as main grid and tower
- GE44 truss as main grid and GE34 truss as tower

BASE

CODE GE34BS



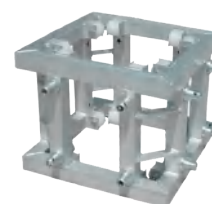
OUTRIGGER & STABILIZER

CODE GE34BS-150



SLEEVE BLOCK TYPE 1

CODE GE34SLEEVE-A



SLEEVE BLOCK TYPE 2

CODE GE34SLEEVE-B



TOP SECTION TYPE 1

CODE GE34TOP-A



TOP SECTION TYPE 2

CODE GE34TOP-B





GE44 TOWER

GE44 Tower components are available for:

- GE44 truss as main grid and tower
- GE44 /GE45/GE52/GE102/GE54/GE7652 truss as main grid and GE44 truss as tower

BASE TYPE 1

CODE GE44BS



BASE TYPE 2

CODE GE44BS-H



OUTRIGGER & STABILIZER

CODE GE44OS



OUTRIGGER & STABILIZER

CODE GE44BSO150



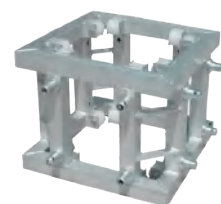
OUTRIGGER & STABILIZER

CODE GE44BSO-H



SLEEVE BLOCK TYPE 1

CODE GE44SLEEVE-A



SLEEVE BLOCK TYPE 2

CODE GE44SLEEVE-B



SLEEVE BLOCK TYPE 3

CODE GE44SLEEVE-C



SLEEVE BLOCK TYPE 4

CODE GE44SLEEVE-D



TOP SECTION TYPE 1

CODE GE44TOP-A



TOP SECTION TYPE 2

CODE GE44TOP-B



TOP SECTION TYPE 3

CODE GE44TOP-H





TOWER HELP ERECTING SYSTEM

Tower help erecting systems are available for:

- GE34 ground support tower
- GE44 ground support tower

GE34 TOWER LIFT

CODE GE34TL



| 47 / 26 - 318

73.43KG

GE44 TOWER LIFT

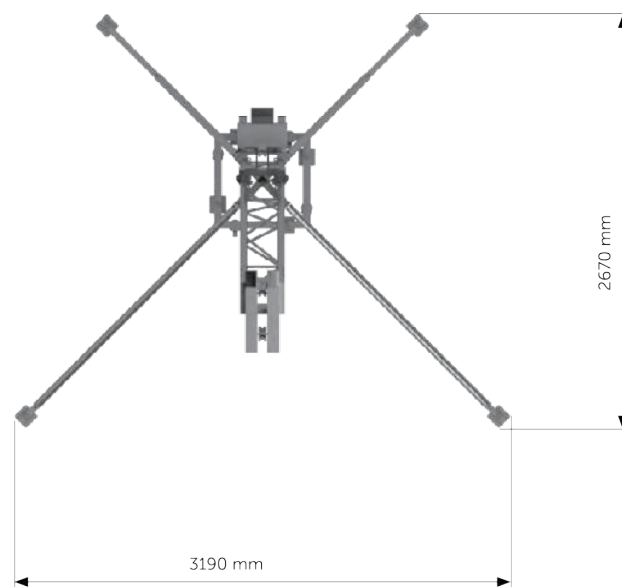
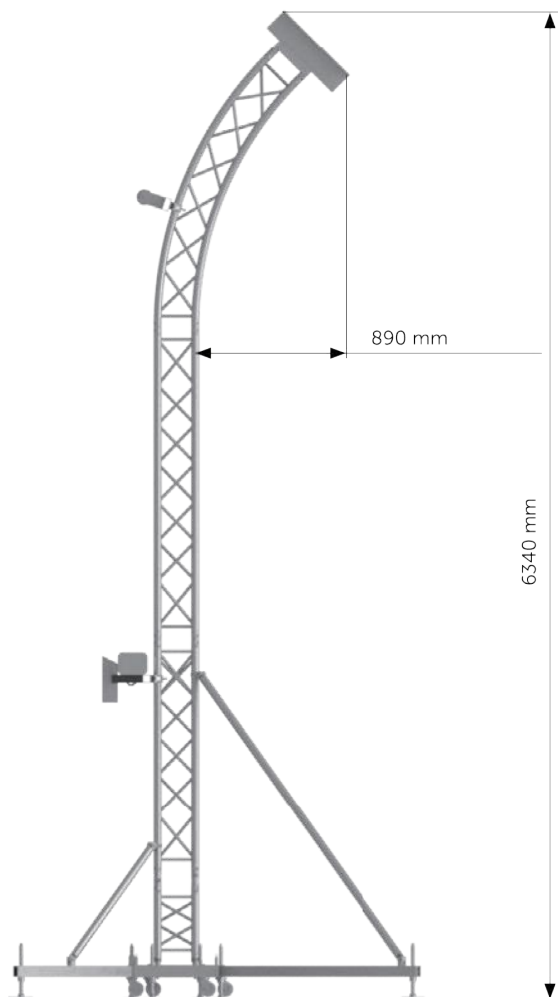
CODE GE44TL



| 59 / 26 - 318

76.22KG





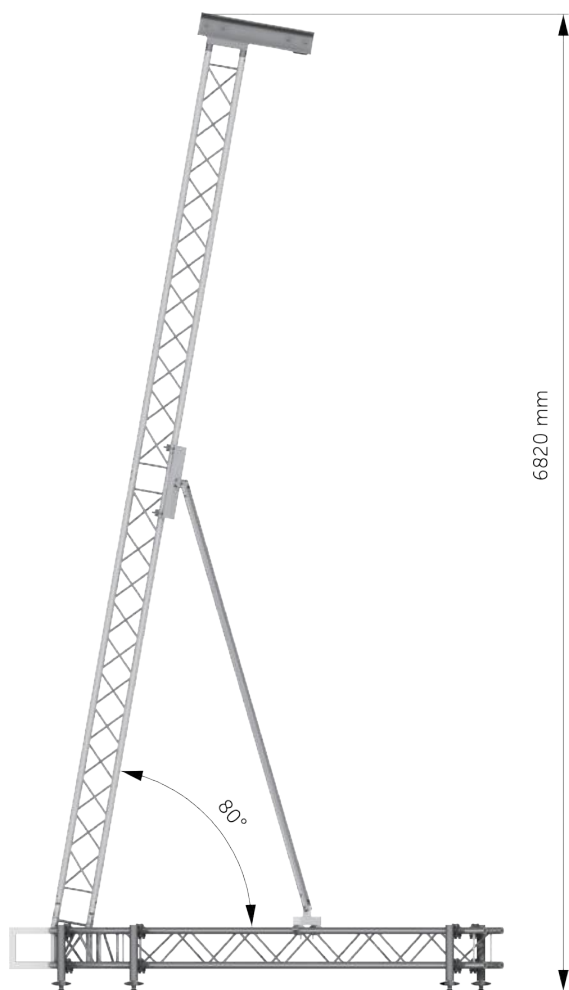
PA-TOWER 350

GE PA Tower 350 is a smaller load tower that is unique for its design and functionality. The total height is 6m and the maximum load is 350kg. It is equipped by pulley, motor holder and long outriggers.

GE PA Tower 350是一款轻型音响架，属于特殊用途的升降系统，此系统载重为350kg，最大拉升高度为6m，配备有滑轮，葫芦支撑件和长斜撑。

TECHNICAL DATA

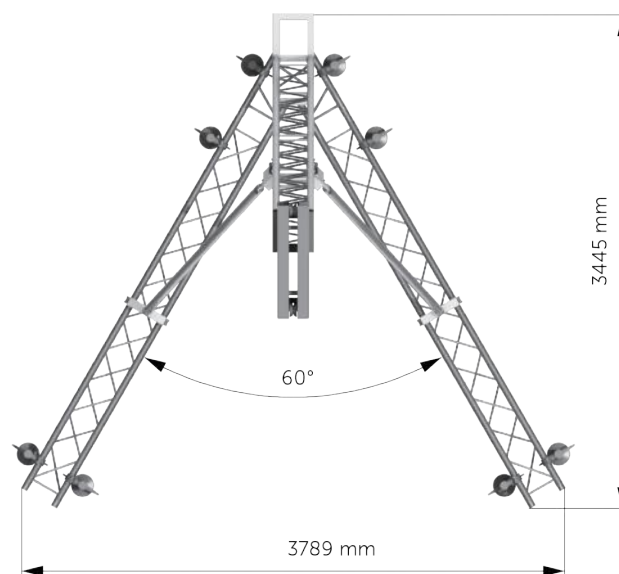
MAX LIFTING HEIGHT	6M
LOADING CAPACITY	350KG
MAX WINDSPEED	20M/SEC
MAIN TUBE	50 X 2 MM
BRACES	20 X 2 MM
ALLOY	EN AW 6082 T6



PA-TOWER 800

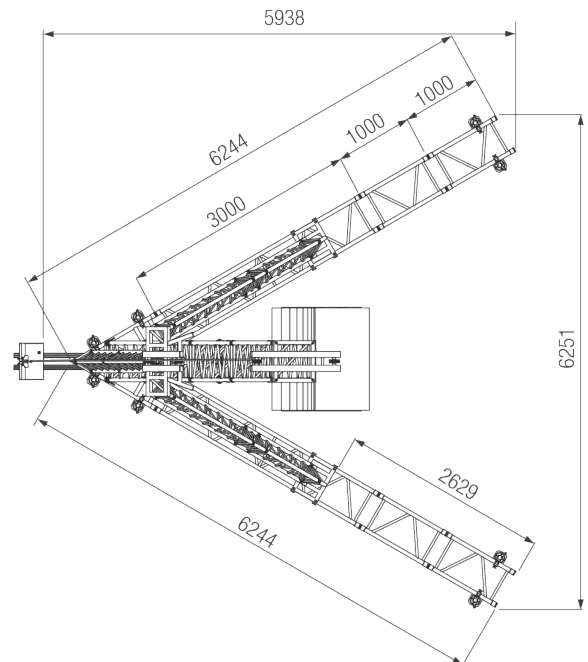
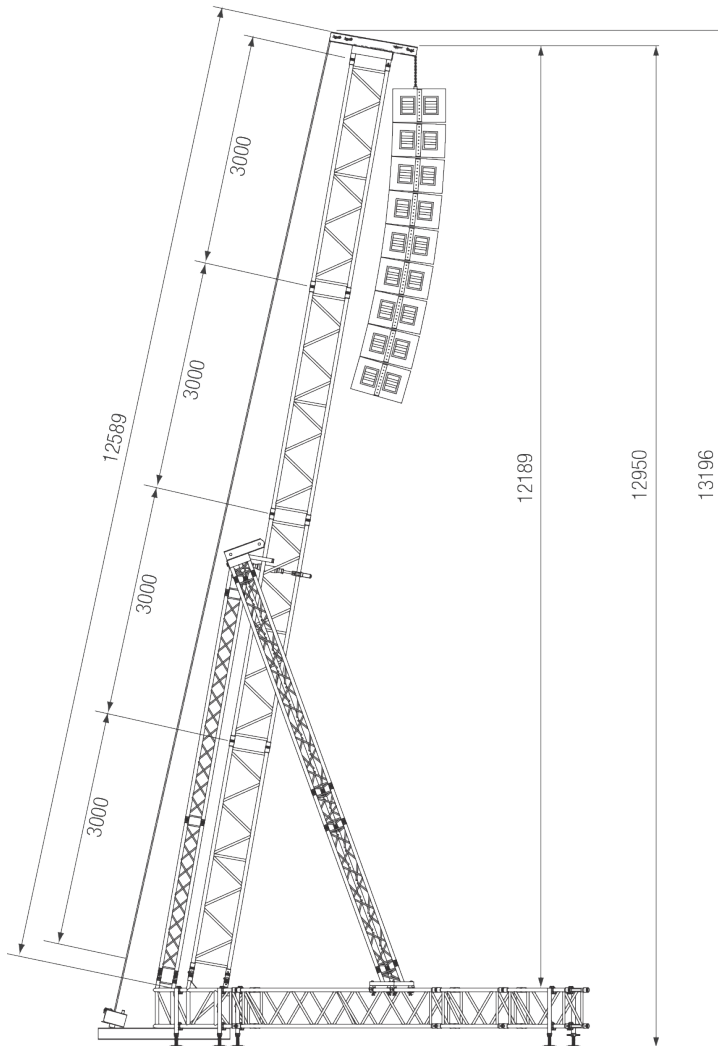
GE PA Tower 800 is a light duty rigging tower with loading capacity 800kg and a maximum lifting height 6.6m. The relatively small dimensions make PA Tower 800 suitable for various kinds of application, e.g. outdoor events, concerts, shopping malls, entrance halls, exhibitions, displays theme parks and corporate events.

GE PA Tower 800是一款轻型音响架，属于特殊用途的升降系统，此系统载重为800kg，最大拉升高度为6.6m，其相对较小的规格尺寸，适用于各种室内外的活动方案，例如音乐会，商场活动，展会等。



TECHNICAL DATA

MAX LIFTING HEIGHT	6.6M
LOADING CAPACITY	800KG
MAX WINDSPEED	20M/SEC
MAIN TUBE	50 X 4 MM
BRACES	20 X 2 MM
ALLOY	EN AW 6082 T6



PA-TOWER 1400

The medium - to - heavy - duty tower has a loading capacity of 1400 to 2900 kg . The rigging tower is the ideal solution for medium to large scale events where flexibility counts, including festivals,concerts or other major public events, The tower can be converted from one type to another by simply adjusting the length of the mast.

GE PA Tower 1400是一款重型音响架，属于特殊用途的升降系统，此系统载重可从1400kg到2900kg，最大拉升高度为13m，是音乐节，政府活动，展会等大型公共活动的理想解决方案。

TECHNICAL DATA

MAX LIFTING HEIGHT	12.95M
LOADING CAPACITY	1400KG-2900KG
MAX WINDSPEED	20M/SEC
MAIN TUBE	50 X 4 MM
BRACES	30 X 3 MM
ALLOY	EN AW 6082 T6



0+44 (0)1304 83390
www.powerhire.uk.com

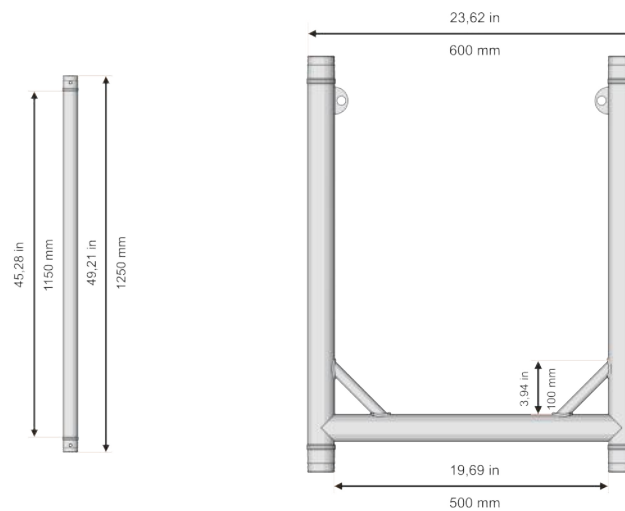
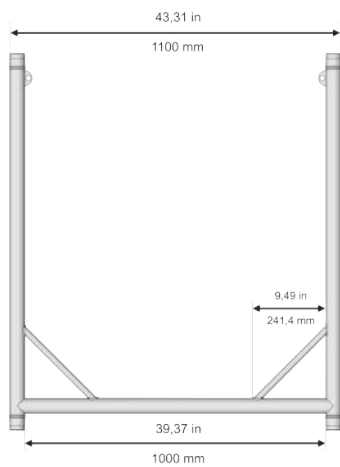


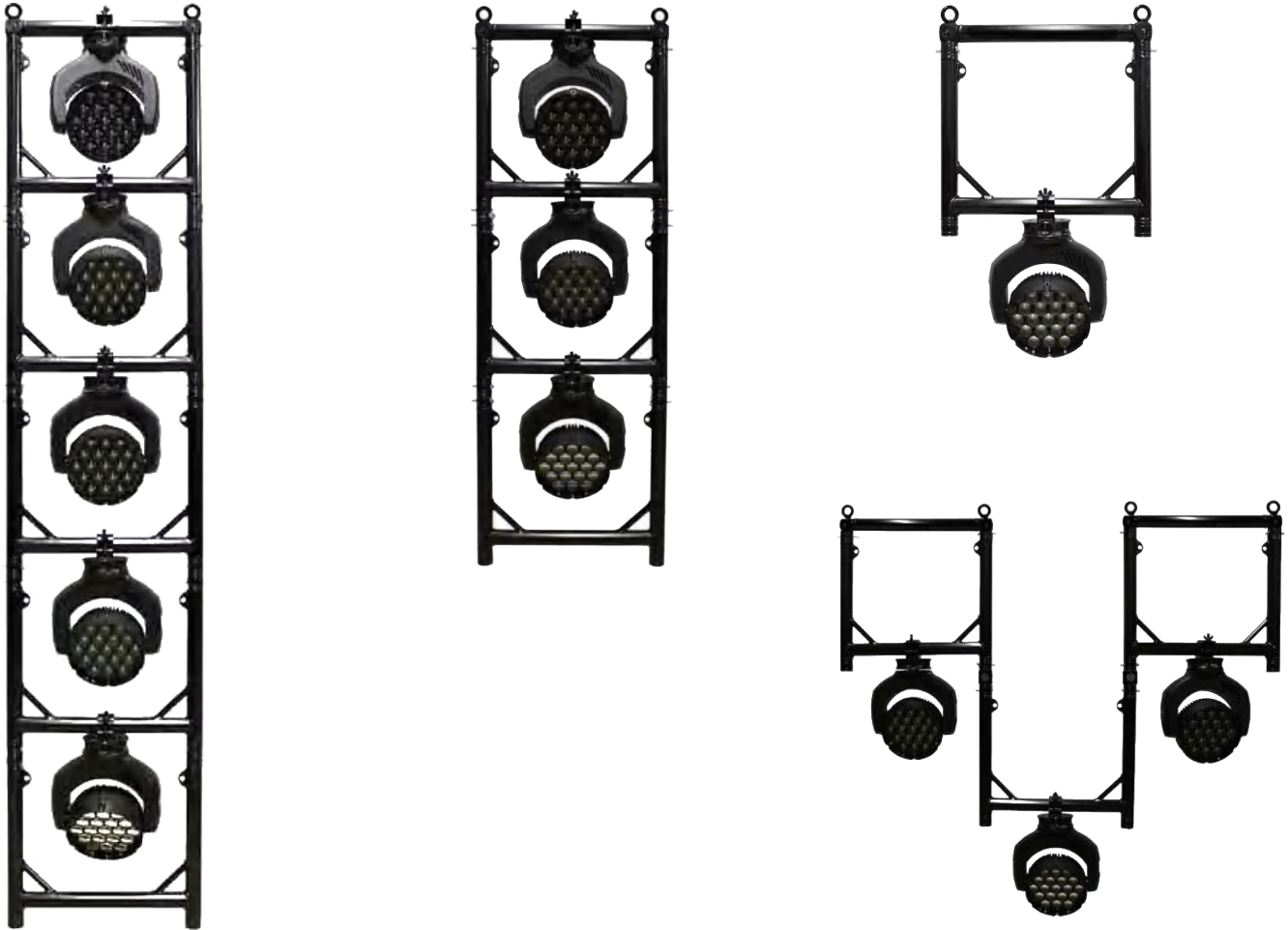
U-TORM 50

- MODULE INTERIOR WIDTH: 50CM
- MODULAR SYSTEM FOR SUSPENDED LIGHTS
- POINT LOAD OF MAX. 95 KG
- FUNCTIONAL SECURITY FASTENERS ON BOTH SIDES
- LADDER CONFIGURATION UP TO 10PCS U-TORM 50
- CONNECTORS INCLUDED

U-TORM 100

- MODULE INTERIOR WIDTH: 100CM
- MODULAR SYSTEM FOR SUSPENDED LIGHTS
- POINT LOAD OF MAX. 93 KG
- FUNCTIONAL SECURITY FASTENERS ON BOTH SIDES
- LADDER CONFIGURATION UP TO 10PCS U-TORM 100
- CONNECTORS INCLUDED





GE U-TORM

The GE U Torm system offers a highly flexible and modular solution for suspended lights. The lightweight system enables a theoretically infinite configuration of single and double suspension as well as ladder systems for various lights - both suspended and upright mounted. U-Torm and U-Top Rig are available as standard in silver and black.

GE U Torm 系列桁架为 U 形单排架系统，其材料均为通过 EN 认证的 6082 T6 铝合金型材，主管直径为 50mm，管壁厚度 2mm，副管直径 20mm，管壁厚度 2mm。此桁架为插销连接方式，属于多用途挂灯桁架，可配底座在地面使用，也可悬挂使用，便于安装节省人工及装配时间，适用于。桁架的设计由德国工程师研发，生产遵循德国工业标准，并荣获德国“RWTUV”认证，是一款极具性价比的优势产品。桁架可依照需求进行特殊造型定制，以及表面可做烤漆处理。





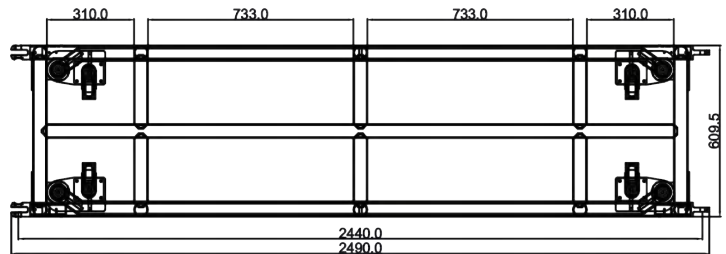
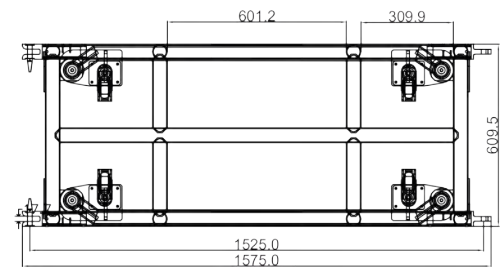
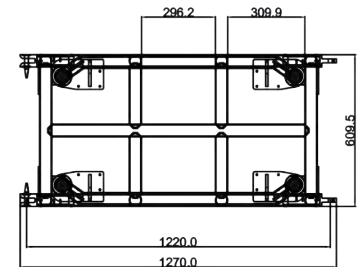
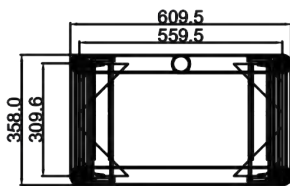
PRE-RIG TRUSS



GEPRE-RIG RECTANGULAR

CODE	LENGTH	WEIGHT
GEPRI22	122CM	29.20KG
GEPRI53	152CM	36.35KG
GEPRI244	244CM	43.50KG
GEPRI305	305CM	56.20KG

SECTION



TECHNICAL DATA

Pipe Diameter	50mm
Wall Thickness	3.0mm
Backbone	50 x 4mm
Brace	25 x 3mm
Material	EN AW 6082 T6

LOAD TABLE

Span	UDL	Deflection	CPL	Deflection	Point load in third-point	Deflection	Point load in quarter-point	Deflection
长度	承重量/m	弯曲度	中间点承重量	弯曲度	两点承重量	弯曲度	三点承重量	弯曲度
m	kg m	cm	kg	cm	kg	cm	kg	cm
2.44	1963.2	0.11	3086.0	0.09	2395.1	0.11	1596.7	0.11
3.66	1303.0	0.45	2466.0	0.36	1534.0	0.46	1158.0	0.43
4.88	916.9	1.01	2014.0	0.81	1326.0	1.03	1018.0	0.96
6.10	580.6	1.8	1682.0	1.46	1142.0	1.83	885.3	1.72
7.32	397.8	2.82	1442.0	2.32	994.0	2.87	728.0	2.7
8.54	287.7	4.12	1228.3	3.4	875.0	4.15	614.2	3.91
9.76	216.2	4.06	1054.8	4.03	783.0	4.89	527.4	4.61
10.98	167.1	5.59	917.6	4.73	688.2	5.68	458.8	5.37
12.20	132.1	6.43	805.6	5.48	604.2	6.54	402.8	6.2
13.42	106.1	7.42	712.1	6.31	534	7.46	356.0	7.09
14.64	86.4	8.63	632.3	7.50	474.3	8.94	316.2	8.86
15.86	71.0	9.85	563.3	8.82	422.4	10.7	281.6	10.8
17.08	58.8	11.42	502.5	10.5	376.9	12.4	251.3	12.6
18.30	49.0	14.64	448.5	12.3	336.3	13.8	224.2	14.1



GEPRE-RIG TRUSS

GE Pre Rig series truss is for supporting and transporting moving heads. The truss has fixed cross and liner brace on the topside. The diameter is 50x3mm tube for the main chords and 25x3mm tube for diagonals, backbone pipe diameter 50mm, wall thickness 4mm. Each truss is designed to stack with or without castor wheels for easy maneuverability and pins for the connection of truss segment. This design reduces the amount of space required for rigging in the truck.

GE PRE RIG 系列桁架为特殊用途的四方架系统，其材料均为通过 EN 认证的 6082 T6 铝合金型材，主管直径为 50mm，管壁厚度 3mm，副管直径 25mm，管壁厚度 3mm，背管直径 50mm，管壁厚度 4mm。此桁架为插销连接方式，属于多用途挂灯桁架，其便于操作及可堆叠的设计，节省人工及装配时间，适用于各种类型的巡回活动。桁架的设计生产遵循德国工业标准，是一款极具性价比的优势产品。桁架可依照需求进行特殊造型定制，表面一般为黑色烤漆处理。

